

# CELLVAULT®-ATTACHABLE PROTECTION



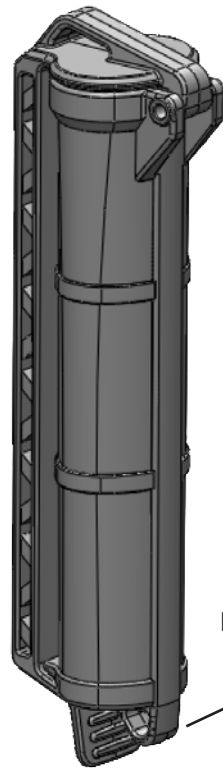
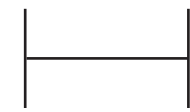
WATERPROOF - ATTACHABLE - ADAPTABLE



# CELLVAULT

-   
CV001 BLACK
-   
CV002 OD
-   
CV003 RESCUE
-   
CV004 FDE
-   
CV005 GREY
-   
CV006 CLEAR  
(Black Hinge)

LESS THAN 1 MOLLE  
COLUMN WIDE

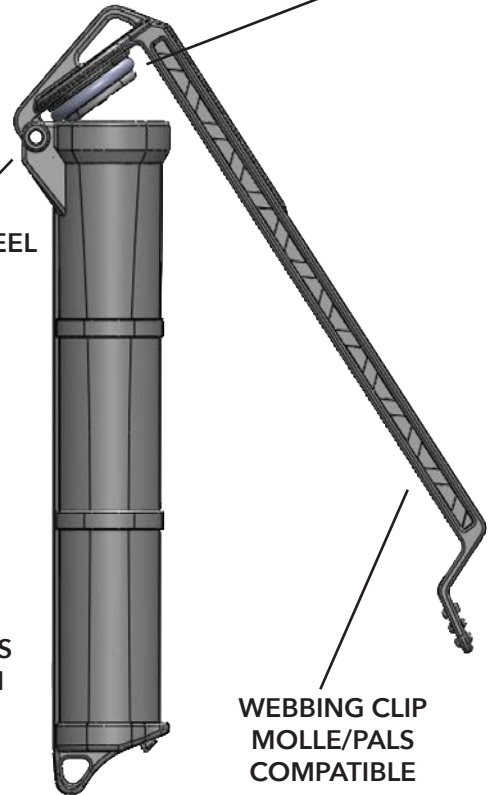


STAINLESS STEEL  
HINGE PIN

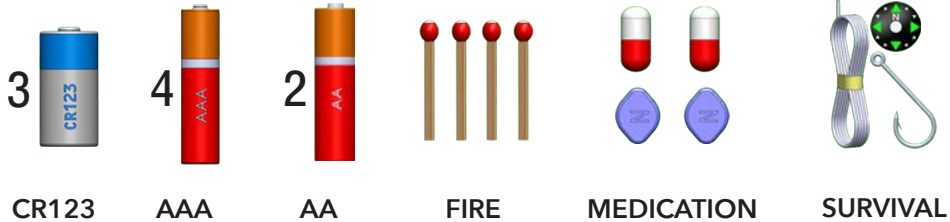
LANYARD HOLES  
TOP & BOTTOM

WATERPROOF  
O-RING SEAL

WEBBING CLIP  
MOLLE/PALS  
COMPATIBLE



## CAN FIT:



## ADDITIONAL INFORMATION:

- DESIGNED WITH DECREASING DIAMETER TO KEEP BATTERIES LIKE CR123 AT BOTTOM SECURE
- MOUNTS TO MOLLE, WEBBING, AND STRAPS TO ALLOW MORE ROOM FOR OTHER GEAR
- CAN ALSO FIT OTHER SMALL CONSUMABLES, EMERGENCY MONEY, FLASH DRIVES, TOBACCO PRODUCTS, FIRST AID GEAR (BANDAGES, TWEEZERS, ETC.)

## SPECIFICATIONS:

HEIGHT: 5.1 in  
LENGTH: 1.1 in  
WIDTH: 1.3 in  
WEIGHT: 1.1 oz

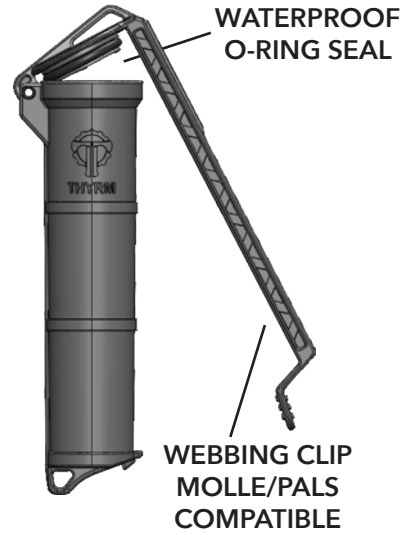
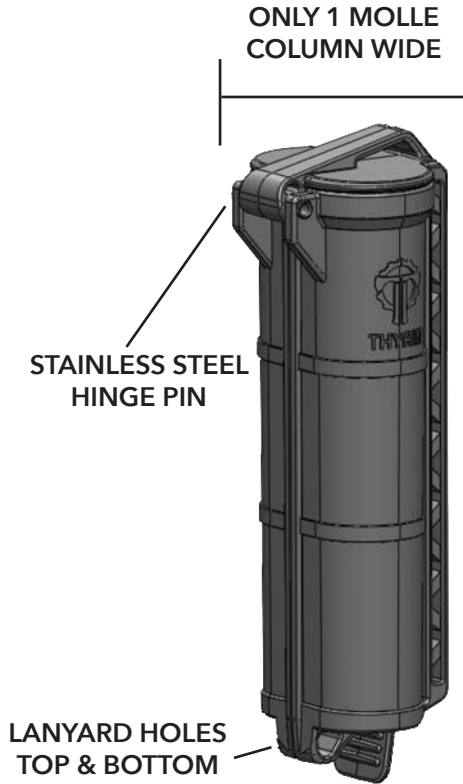
MSRP \$ 19.99

MADE IN THE USA



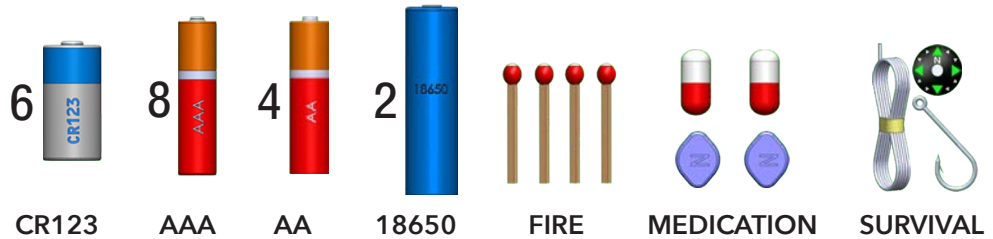
# CELLVAULT XL

-   
CVXL001 BLACK
-   
CVXL002 OD
-   
CVXL003 RESCUE
-   
CVXL004 FDE
-   
CVXL005 GREY
-   
CVXL006 CLEAR  
(Black Hinge)
-   
CVXL009 CLEAR  
(Red Hinge)



REMOVABLE DIVIDER

## CAN FIT:



## ADDITIONAL INFORMATION:

- CAN ALSO FIT OTHER SMALL CONSUMABLES, EMERGENCY MONEY, FLASH DRIVES, A SEWING KIT, TOBACCO PRODUCTS, FIRST AID GEAR (BANDAGES, TWEEZERS, ETC.)

## SPECIFICATIONS:

HEIGHT: 5.1 in  
LENGTH: 1.9 in  
WIDTH: 1.8 in  
WEIGHT: 1.8 oz

MSRP \$ 29.99

MADE IN THE USA



# CELLVAULT-1 8/21-HIGH ENERGY PROTECTION

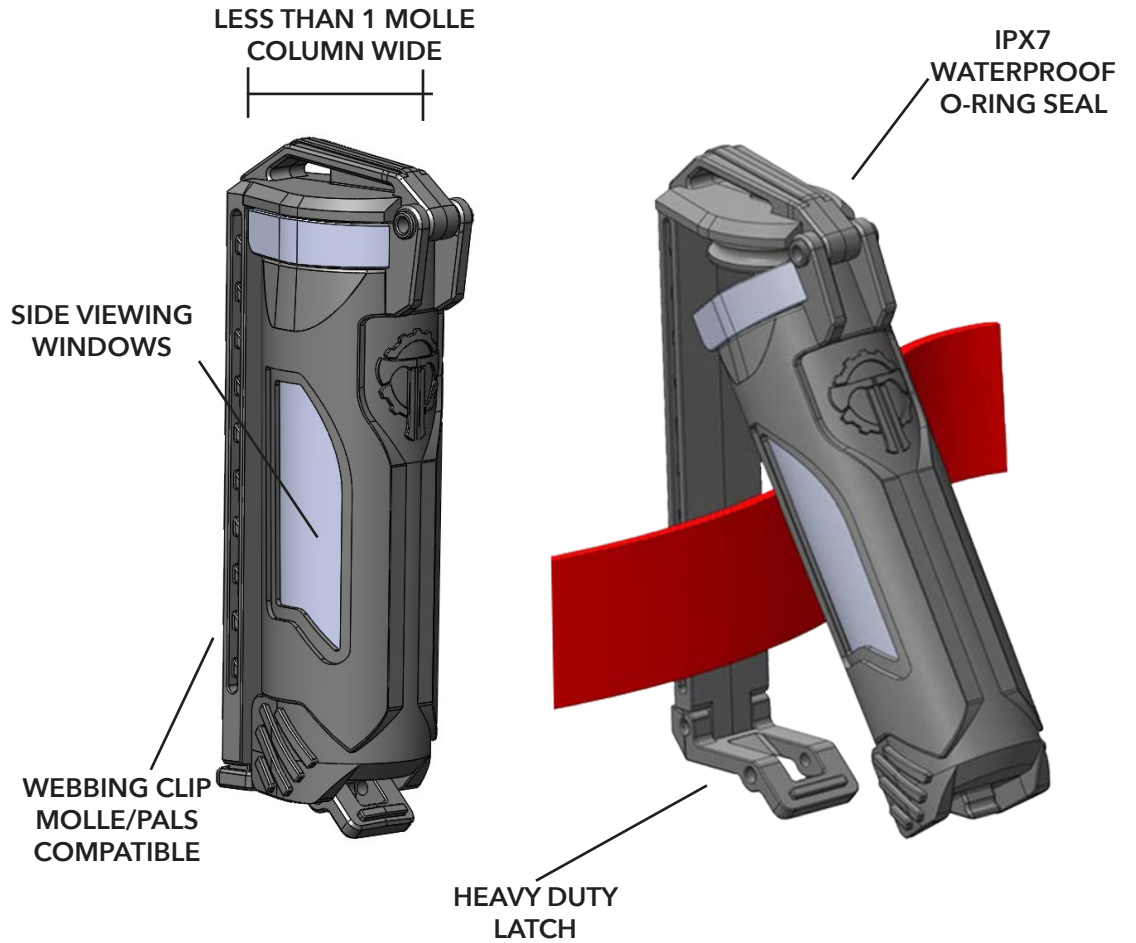


WATERPROOF - ATTACHABLE - ADAPTABLE



# CELLVAULT-18

- CV18001 BLACK
- CV18002 OD
- CV18003 RESCUE
- CV18004 FDE
- CV18005 GREY



CAN FIT:



## ADDITIONAL INFORMATION:

- COMES WITH SILICONE FOAM SHOCK ABSORBER/NOISE SILENCER
- WATERPROOF O-RING SEAL RATED TO IPX7 AT 2 METERS FOR 30+ MINUTES

## SPECIFICATIONS:

HEIGHT: 4.38 in  
LENGTH: 1.57 in  
WIDTH: 1.10 in  
WEIGHT: 1.3 oz

MSRP \$ 24.99

MADE IN THE USA



# CELLVAULT-21

CV21001 BLACK



CV21002 OD



CV21003 RESCUE



CV21004 FDE

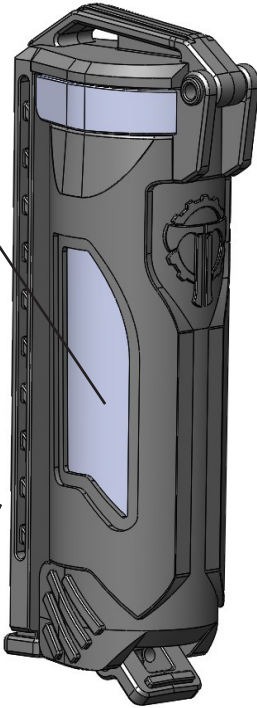


CV21005 GREY

LESS THAN 1 MOLLE  
COLUMN WIDE

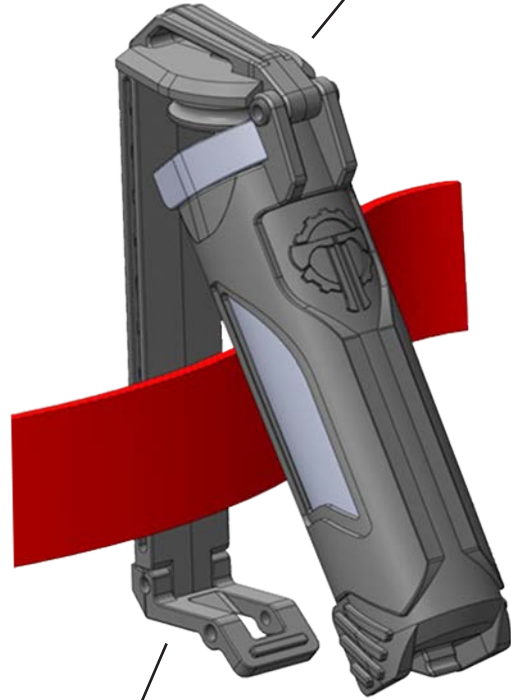


SIDE VIEWING  
WINDOWS



WEBBING CLIP  
MOLLE/PALS  
COMPATIBLE

IPX7  
WATERPROOF  
O-RING SEAL



HEAVY DUTY  
LATCH

CAN FIT:

1



21700

## ADDITIONAL INFORMATION:

- COMES WITH SILICONE FOAM SHOCK ABSORBER/NOISE SILENCER
- COMES WITH A DETACHABLE LATCH FOR ATTACHMENT TO MOLLE
- WATERPROOF O-RING SEAL RATED TO IPX7 AT 2 METERS FOR 30+ MINUTES

## SPECIFICATIONS:

HEIGHT: 4.43 in  
LENGTH: 1.71 in  
WIDTH: 1.22 in  
WEIGHT: 1.7 oz

MSRP \$ 26.99

MADE IN THE USA



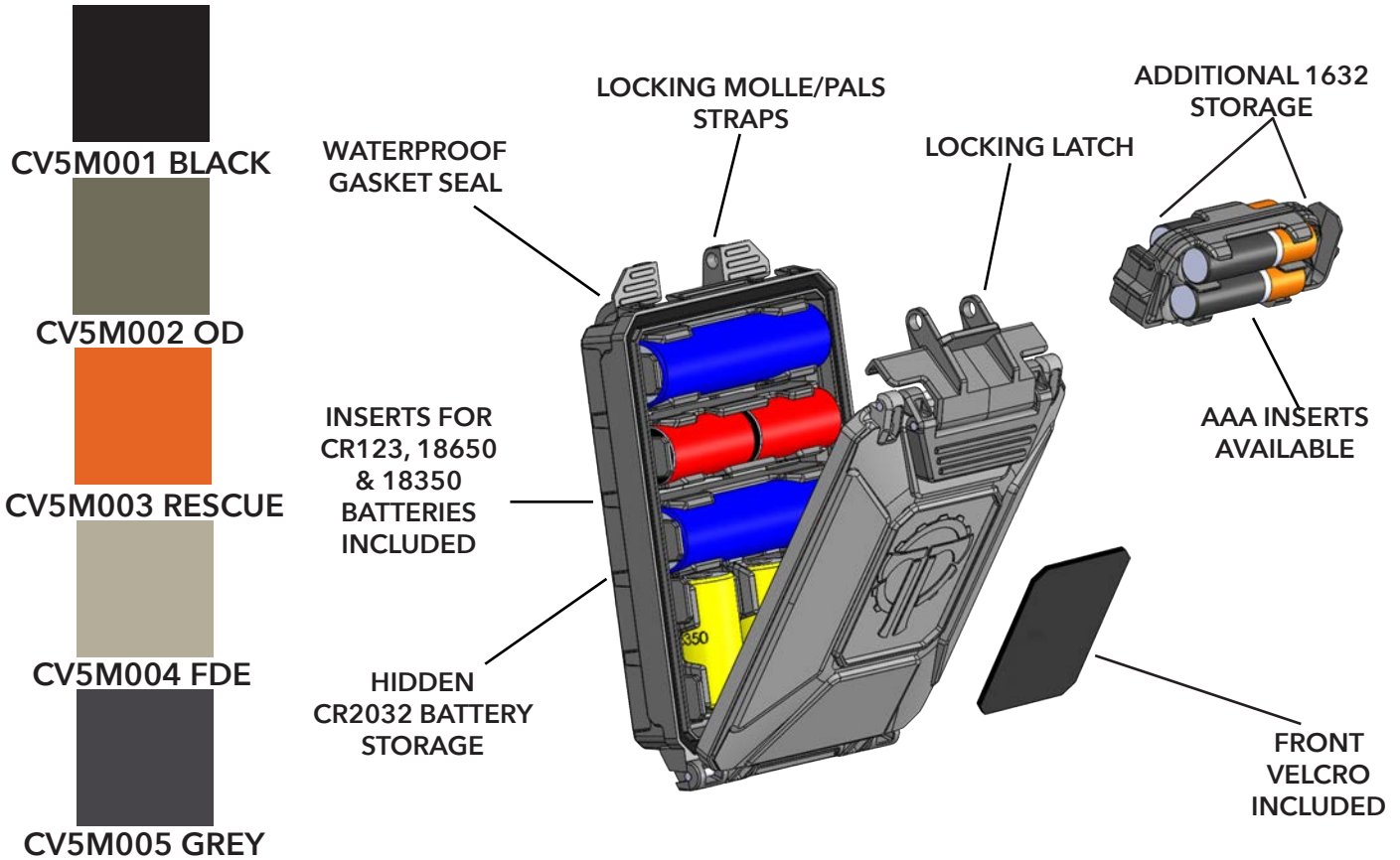
# CELLVAULT-5M - MODULAR PROTECTION



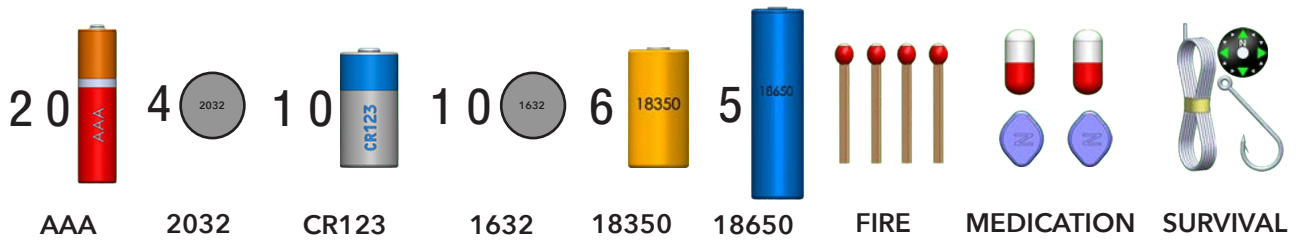
CUSTOMIZABLE BATTERY CASE FOR EXTENDED MISSIONS



# CELLVAULT-5 M



FITS UP TO:



## ADDITIONAL INFORMATION:

- CAN BE PURCHASED WITH ADDITIONAL INSERTS FOR MAKING EVEN MORE STORAGE CONFIGURATIONS AND WITH VELCRO BATTERY PATCHES MARKING THE TYPES OF BATTERIES THE CELLVAULT CONTAINS
- THE CELLVAULT COMES IN ADDITIONAL HYDRODIPPED MULTICAM COLORWAYS (MULTICAM, MULTICAM BLACK, MULTICAM TROPIC), WHICH COST \$64.99

## SPECIFICATIONS:

HEIGHT: 5.75 in  
 LENGTH: 3.43 in  
 WIDTH: 1.62 in  
 WEIGHT: 7 oz

MSRP \$ 54.99

MADE IN THE USA

