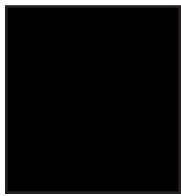
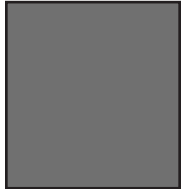


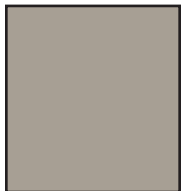
# SWITCHBACK LARGE 2.0



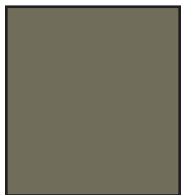
SB007 BLACK



SB008 GREY



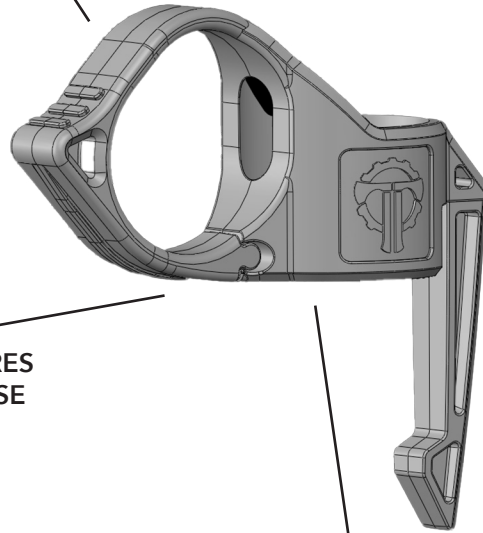
SB009 TAN



SB0010 OD  
(Sage Instruments  
Edition)

RING FACILITATES USE OF THE  
"SWITCHBACK TECHNIQUE" FOR  
A NATURAL SHOOTING GRIP

DURABLE, AMBIDEXTROUS  
POCKET CLIP IS ALSO  
MOLLE/PALS COMPATIBLE



RIGID RING FEATURES  
A TORSION-RELEASE

SECURELY ATTACHES BETWEEN TAIL CAP  
AND BODY OF FLASHLIGHT

## TECHNIQUE

ALL SWITCHBACKS ALLOW THE USER TO:

- RELIABLY DEPLOY AND INDEX A FLASHLIGHT FROM BOTH POCKETS AND POUCHES, USING THE SWITCHBACK'S RIGID, BUT RELEASABLE, RETENTION RING.
- SHOOT USING A NATURAL TWO-HANDED GRIP (THE SWITCHBACK TECHNIQUE).
- EMPLOY ALL TRADITIONAL LOW-LIGHT TECHNIQUES SUCH AS NECK INDEX, MODIFIED FBI, AND HARRIES.
- POSITIVELY RETAIN THE LIGHT WHEN DRAWING A FIREARM, RELOADING, AND ADDRESSING A MALFUNCTION.

## COMPATIBILITY

1" DIAMETER TAILCAP LIGHTS BY:

- |              |                   |
|--------------|-------------------|
| - MODLITE    | - CLOUD DEFENSIVE |
| - SUREFIRE   | - PELICAN         |
| - FENIX      | - STREAMLIGHT     |
| - NITECORE   | - ELZETTA         |
| - FOURSEVENS | - POWERTAC        |
- AND MORE

SEE THE SWITCHBACK LARGE 2.0  
PRODUCT PAGE FOR A FULL  
COMPATIBILITY LIST.

MSRP \$ 19.99

MADE IN THE USA

