



CORE PRINCIPLE

THYRM was founded on the belief that innovative, robust products make users more effective and resilient.



PUT IN THE WORK

Great product design requires full immersion in the user's environment & ruthless testing. THYRM products don't launch until our subject matter experts are fully satisfied.



STAND FOR SOMETHING

THYRM backs all products for life, providing our soldiers, emergency personnel and responsible citizens the support they deserve. Designing and manufacturing products in the USA contributes to our communities, speeds product development, and keeps products in stock.



thyrm.com

408-444-5734

sales@thyrm.com

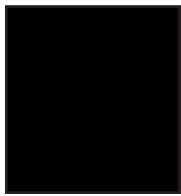
SWITCHBACK® 2.0 - REFINED & RUGGEDIZED



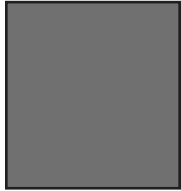
FASTER DEPLOYMENT - BETTER RETENTION - NATURAL SHOOTING



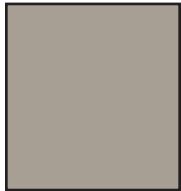
SWITCHBACK LARGE 2.0



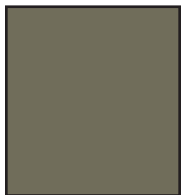
SB007 BLACK



SB008 GREY



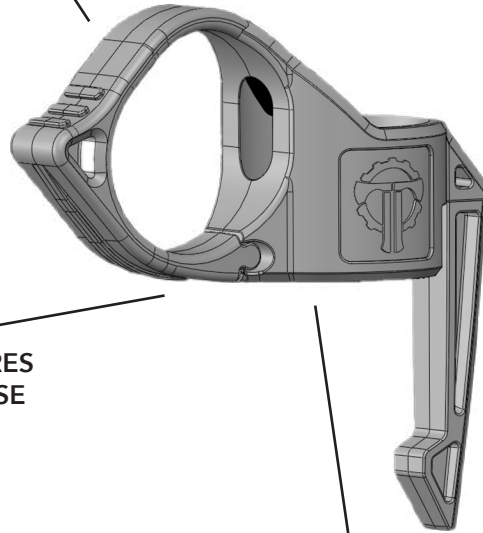
SB009 TAN



SB0010 OD
(Sage Instruments
Edition)

RING FACILITATES USE OF THE
"SWITCHBACK TECHNIQUE" FOR
A NATURAL SHOOTING GRIP

DURABLE, AMBIDEXTROUS
POCKET CLIP IS ALSO
MOLLE/PALS COMPATIBLE



RIGID RING FEATURES
A TORSION-RELEASE

SECURELY ATTACHES BETWEEN TAIL CAP
AND BODY OF FLASHLIGHT

TECHNIQUE

ALL SWITCHBACKS ALLOW THE USER TO:

- RELIABLY DEPLOY AND INDEX A FLASHLIGHT FROM BOTH POCKETS AND POUCHES, USING THE SWITCHBACK'S RIGID, BUT RELEASABLE, RETENTION RING.
- SHOOT USING A NATURAL TWO-HANDED GRIP (THE SWITCHBACK TECHNIQUE).
- EMPLOY ALL TRADITIONAL LOW-LIGHT TECHNIQUES SUCH AS NECK INDEX, MODIFIED FBI, AND HARRIES.
- POSITIVELY RETAIN THE LIGHT WHEN DRAWING A FIREARM, RELOADING, AND ADDRESSING A MALFUNCTION.

COMPATIBILITY

1" DIAMETER TAILCAP LIGHTS BY:

- | | |
|--------------|-------------------|
| - MODLITE | - CLOUD DEFENSIVE |
| - SUREFIRE | - PELICAN |
| - FENIX | - STREAMLIGHT |
| - NITECORE | - ELZETTA |
| - FOURSEVENS | - POWERTAC |
- AND MORE

SEE THE SWITCHBACK LARGE 2.0
PRODUCT PAGE FOR A FULL
COMPATIBILITY LIST.

MSRP \$19.99

MADE IN THE USA



SWITCHBACK DF



SB0011 BLACK



SB0012 GREY



SB0013 TAN

WIDE THUMB REST WITH TRACTION FEATURES

RETENTION TAB FOR IMPROVED HANDLING



DURABLE FINGER RING WITH RELEASE

STRONG POCKET CLIP THAT ALSO WORKS WITH MOLLE/PALS WEBBING

COMPATIBILITY

SUREFIRE FURY DFT,
SUREFIRE FURY INTELLIBEAM DF,
PELICAN 7600, CONVOY S21A, FENIX HT30R,
FENIX WF-26R, JETBEAM RRT-M1X,
ACEBEAM L30 GEN II

MSRP \$19.99

MADE IN THE USA



SWITCHBACK HOG



SB0015 BLACK



SB0016 GREY

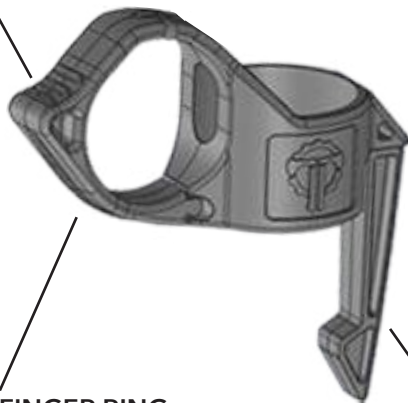


SB0017 TAN



SB0018 OD

WIDE THUMB REST WITH TRACTION FEATURES



DURABLE FINGER RING WITH RELEASE

STRONG POCKET CLIP THAT ALSO WORKS WITH MOLLE/PALS WEBBING

COMPATIBILITY

SPECIFICALLY MADE FOR THE MODLITE
HOG FLASHLIGHT

MSRP \$19.99

MADE IN THE USA



LPC CLIP - LOW-PROFILE EDC CARRY



FULL-SIZED LANYARD HOLE
FOR ADDITIONAL RETENTION
OPTIONS



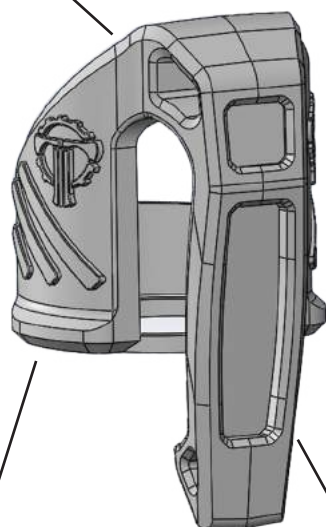
LPC001 BLACK LPC002 GREY LPC003 TAN LPC004 OD

COMPATIBILITY

COMPATIBLE WITH FLASHLIGHTS FROM
MODLITE, CLOUD DEFENSIVE, SUREFIRE,
AND MANY OTHER BRANDS
(SEE WEBSITE FOR FULL LIST)

TECHNIQUE

- DESIGNED TO MINIMIZE EXPOSURE WHILE
STILL ALLOWING THE USER TO INDEX AND
DRAW A FLASHLIGHT IN ALL CONDITIONS
- SURFACES HELP TO FACILITATE ALTERNATE
GRIP TECHNIQUES



WINGLETS ALLOW FOR FASTER
DEPLOYMENT AND ALTERNATE
GRIP TECHNIQUES

DURABLE, AMBIDEXTROUS
POCKET CLIP WON'T
SCRATCH SURROUNDINGS

MSRP \$17.99

MADE IN THE USA



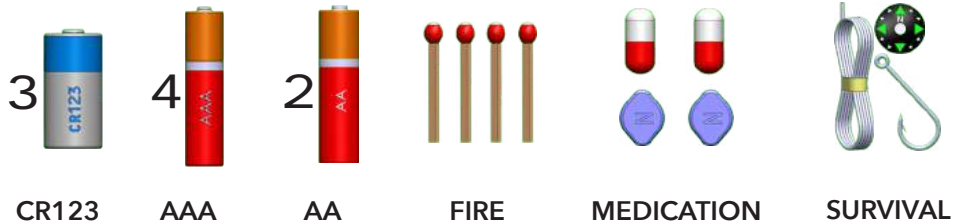
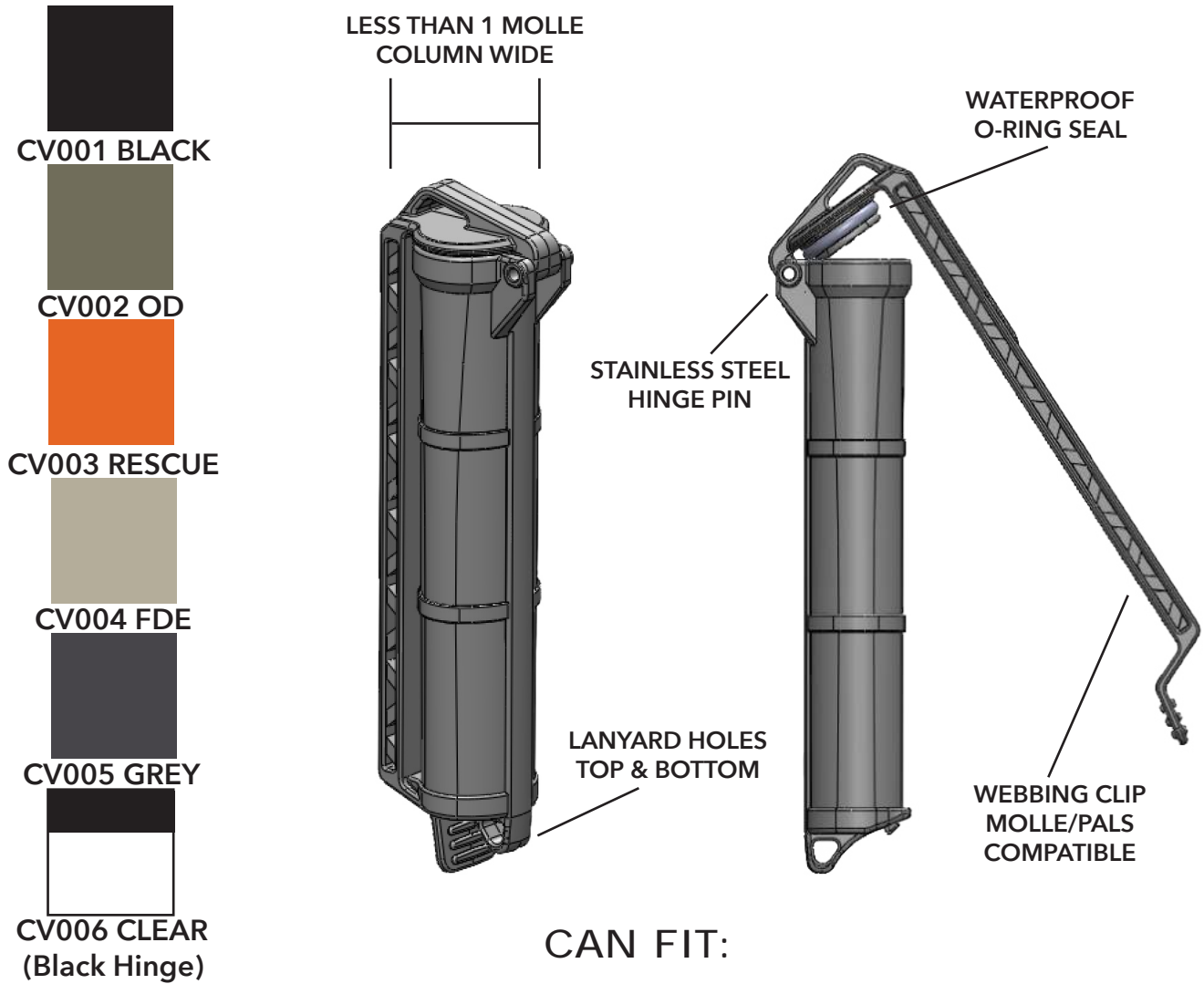
CELLVAULT®-ATTACHABLE PROTECTION



WATERPROOF - ATTACHABLE - ADAPTABLE



CELLVAULT



ADDITIONAL INFORMATION:

- DESIGNED WITH DECREASING DIAMETER TO KEEP BATTERIES LIKE CR123 AT BOTTOM SECURE
- MOUNTS TO MOLLE, WEBBING, AND STRAPS TO ALLOW MORE ROOM FOR OTHER GEAR
- CAN ALSO FIT OTHER SMALL CONSUMABLES, EMERGENCY MONEY, FLASH DRIVES, TOBACCO PRODUCTS, FIRST AID GEAR (BANDAGES, TWEEZERS, ETC.)

SPECIFICATIONS:

HEIGHT: 5.1 in
 LENGTH: 1.1 in
 WIDTH: 1.3 in
 WEIGHT: 1.1 oz

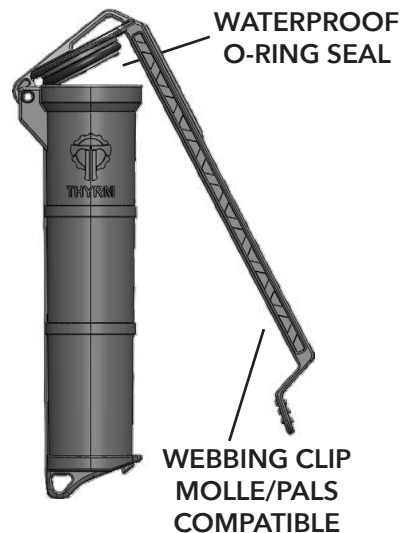
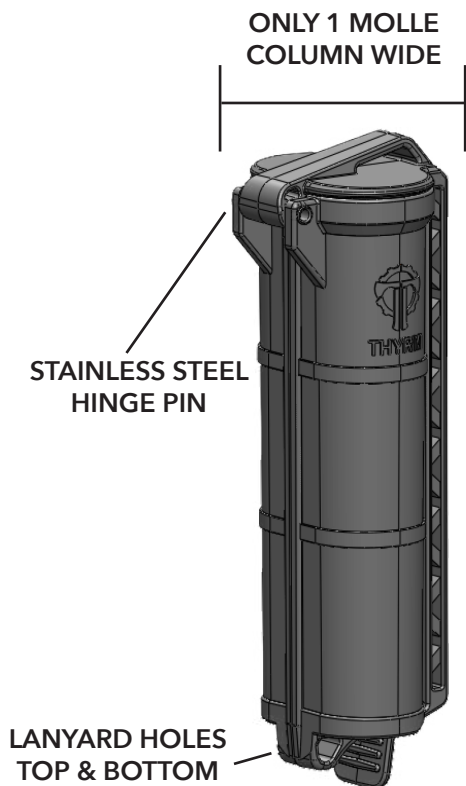
MSRP \$19.99

MADE IN THE USA



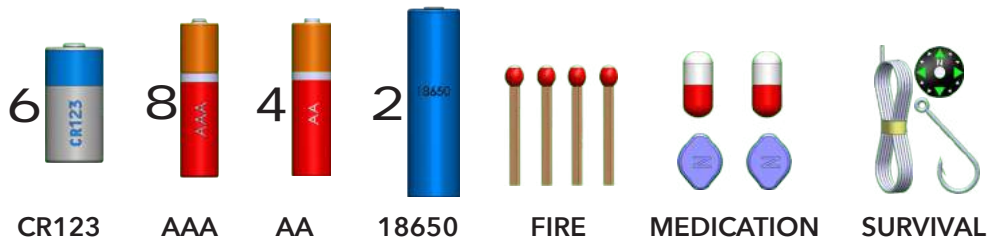
CELLVAULT XL

-  CVXL001 BLACK
-  CVXL002 OD
-  CVXL003 RESCUE
-  CVXL004 FDE
-  CVXL005 GREY
-  CVXL006 CLEAR
(Black Hinge)
-  CVXL009 CLEAR
(Red Hinge)



REMOVABLE DIVIDER

CAN FIT:



ADDITIONAL INFORMATION:

- CAN ALSO FIT OTHER SMALL CONSUMABLES, EMERGENCY MONEY, FLASH DRIVES, A SEWING KIT, TOBACCO PRODUCTS, FIRST AID GEAR (BANDAGES, TWEEZERS, ETC.)

SPECIFICATIONS:

HEIGHT: 5.1 in
 LENGTH: 1.9 in
 WIDTH: 1.8 in
 WEIGHT: 1.8 oz

MSRP \$29.99

MADE IN THE USA



CELLVAULT-18/21-HIGH ENERGY PROTECTION

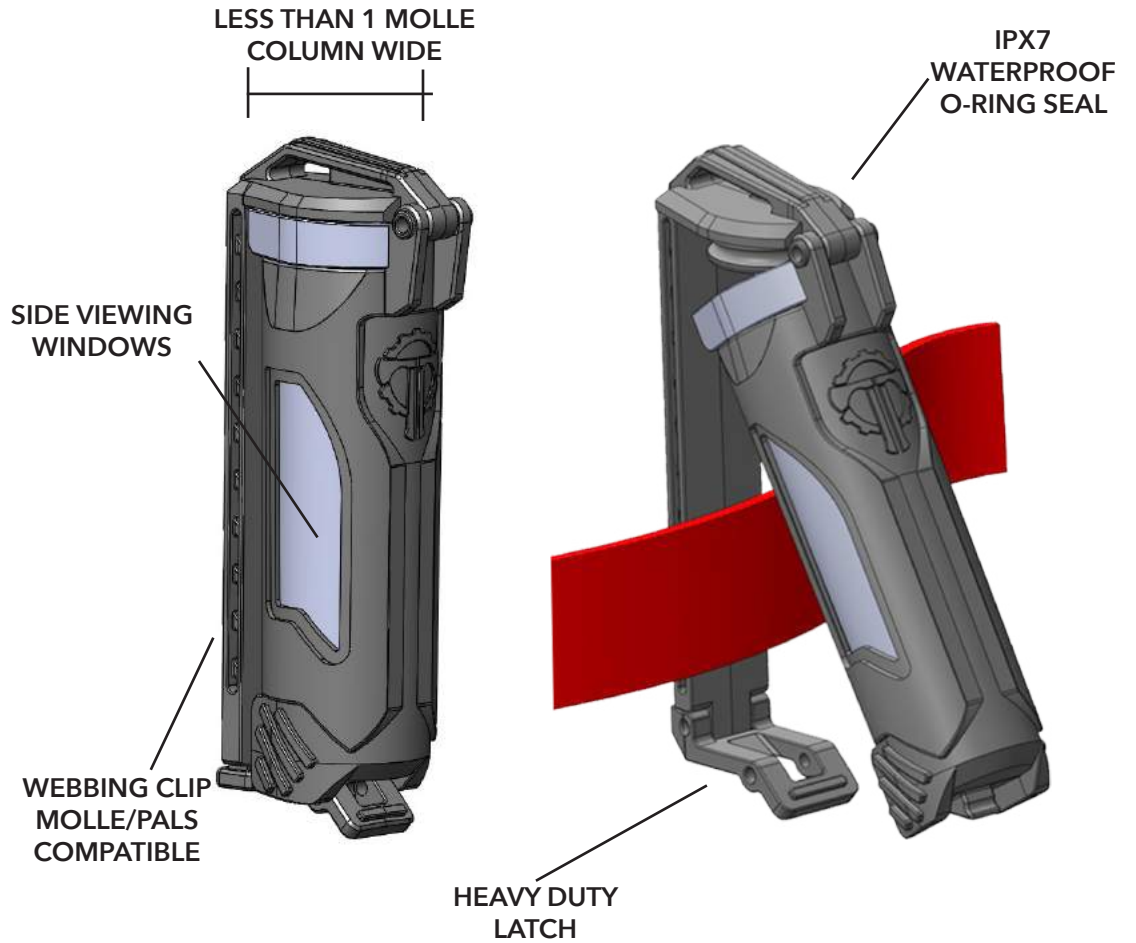


WATERPROOF - ATTACHABLE - ADAPTABLE



CELLVAULT-18

- CV18001 BLACK
- CV18002 OD
- CV18003 RESCUE
- CV18004 FDE
- CV18005 GREY



CAN FIT:



ADDITIONAL INFORMATION:

- COMES WITH SILICONE FOAM SHOCK ABSORBER/NOISE SILENCER
- WATERPROOF O-RING SEAL RATED TO IPX7 AT 2 METERS FOR 30+ MINUTES

SPECIFICATIONS:

HEIGHT: 4.38 in
LENGTH: 1.57 in
WIDTH: 1.10 in
WEIGHT: 1.3 oz

MSRP \$24.99

MADE IN THE USA



CELLVAULT-21

CV21001 BLACK



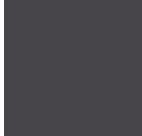
CV21002 OD



CV21003 RESCUE



CV21004 FDE



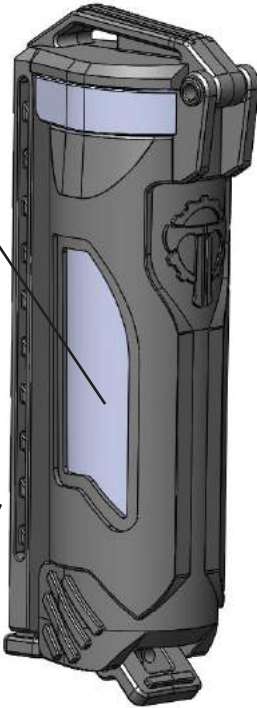
CV21005 GREY

LESS THAN 1 MOLLE
COLUMN WIDE

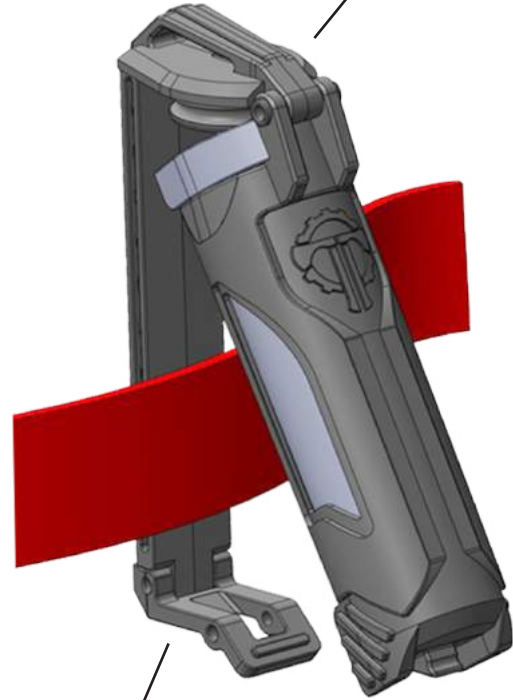


SIDE VIEWING
WINDOWS

WEBBING CLIP
MOLLE/PALS
COMPATIBLE



IPX7
WATERPROOF
O-RING SEAL



HEAVY DUTY
LATCH

CAN FIT:

1



21700

ADDITIONAL INFORMATION:

- COMES WITH SILICONE FOAM SHOCK ABSORBER/NOISE SILENCER
- COMES WITH A DETACHABLE LATCH FOR ATTACHMENT TO MOLLE
- WATERPROOF O-RING SEAL RATED TO IPX7 AT 2 METERS FOR 30+ MINUTES

SPECIFICATIONS:

HEIGHT: 4.43 in
LENGTH: 1.71 in
WIDTH: 1.22 in
WEIGHT: 1.7 oz

MSRP \$26.99

MADE IN THE USA



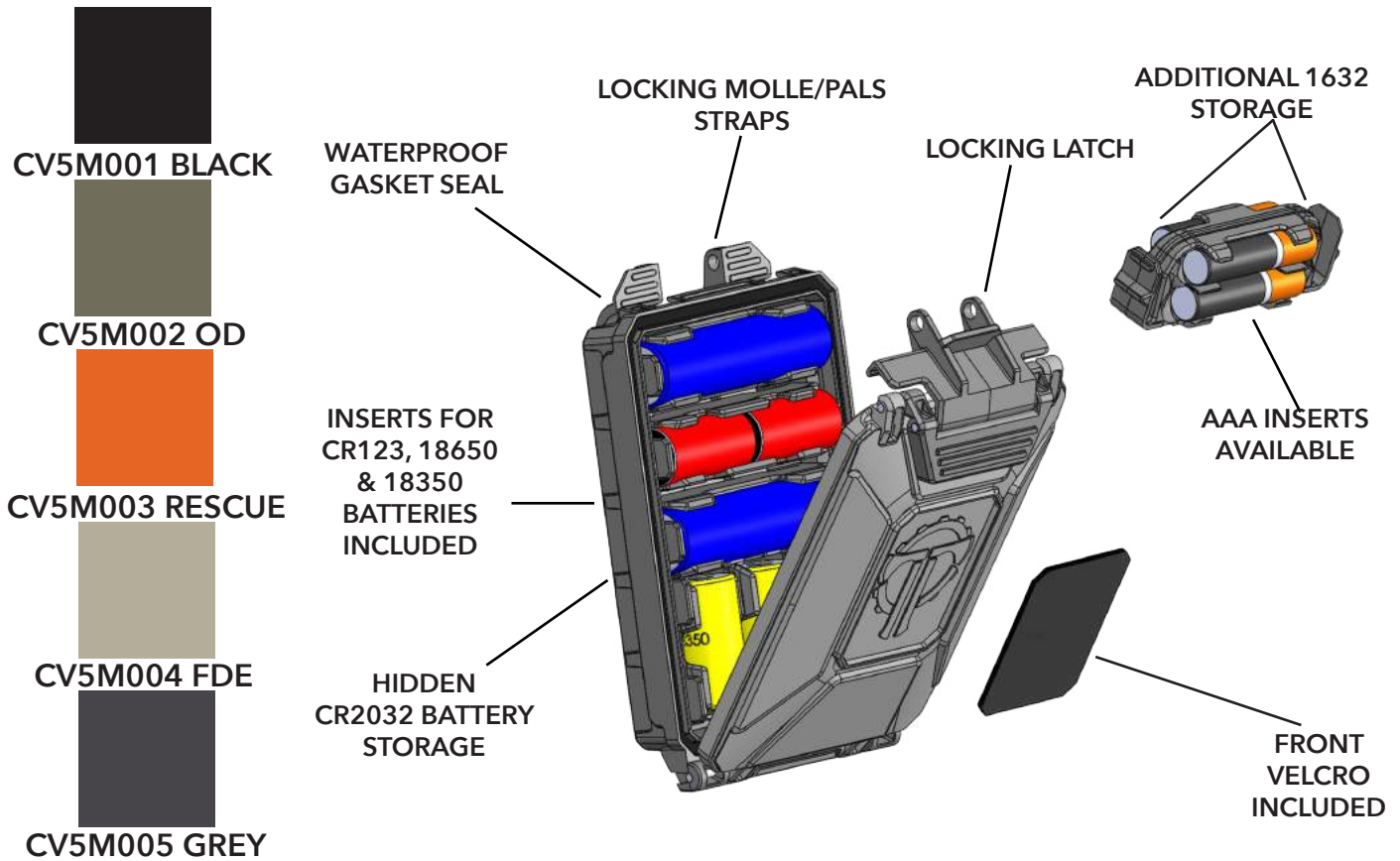
CELLVAULT-5M - MODULAR PROTECTION



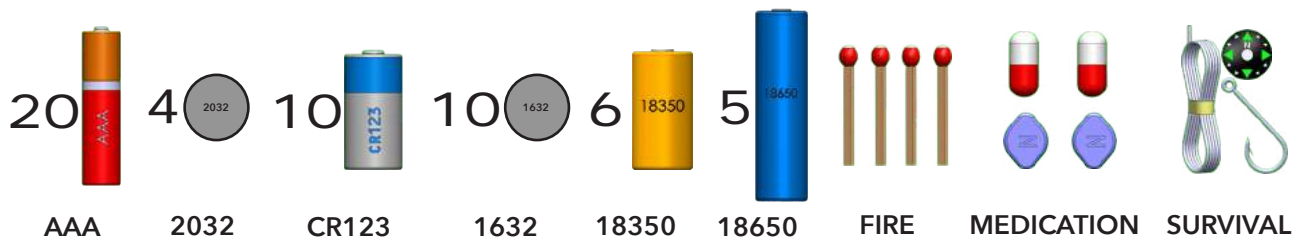
CUSTOMIZABLE BATTERY CASE FOR EXTENDED MISSIONS



CELLVAULT-5M



FITS UP TO:



ADDITIONAL INFORMATION:

- CAN BE PURCHASED WITH ADDITIONAL INSERTS FOR MAKING EVEN MORE STORAGE CONFIGURATIONS AND WITH VELCRO BATTERY PATCHES MARKING THE TYPES OF BATTERIES THE CELLVAULT CONTAINS
- THE CELLVAULT COMES IN ADDITIONAL HYDRODIPPED MULTICAM COLORWAYS (MULTICAM, MULTICAM BLACK, MULTICAM TROPIC), WHICH COST \$64.99

SPECIFICATIONS:

HEIGHT: 5.75 in
 LENGTH: 3.43 in
 WIDTH: 1.62 in
 WEIGHT: 7 oz

MSRP \$54.99

MADE IN THE USA



VARIARC®- LIGHT COMES FULL CIRCLE

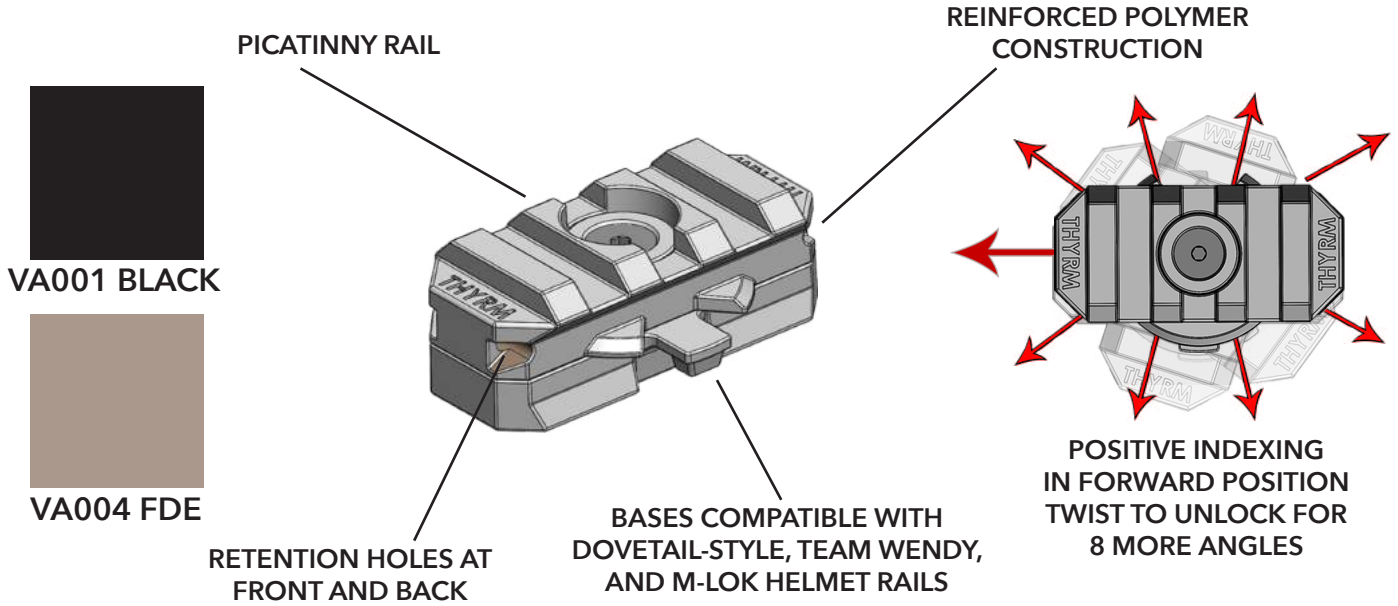


LOW-PROFILE HELMET MOUNT - ROTATIONAL INDEXING

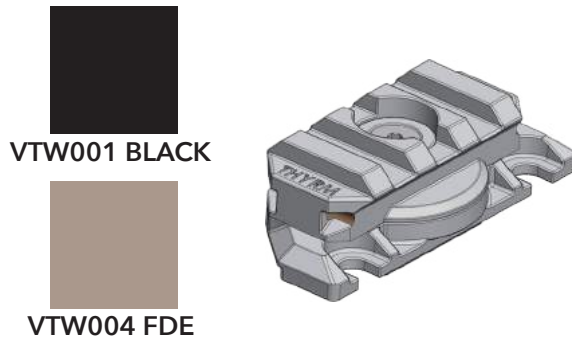


VARIARC

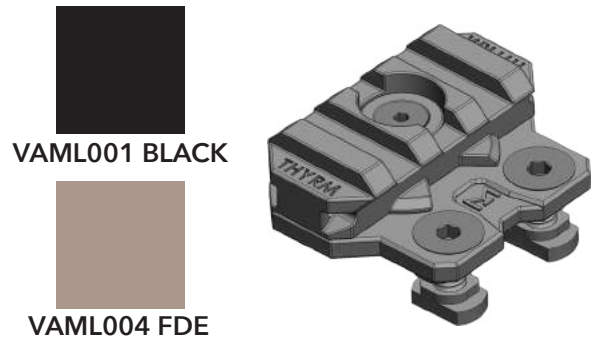
VARIARC OPS CORE



VARIARC TEAM WENDY



VARIARC M-LOK



ADDITIONAL INFORMATION:

- CAN BE USED IN DOWNWARD ANGLES FOR ADMIN & TASK LIGHTING
- WORKS IN VERTICAL POSITIONS FOR UMBRELLA LIGHTING ROOMS, CANOPY ILLUMINATION, AND IR STROBE SIGNALING
- COMPATIBLE WITH STANDARD 1913 PICATINNY RAIL LIGHTS (SEE WEBSITE FOR FULL LIST AND INSTALLATION INSTRUCTIONS)

SPECIFICATIONS:

OPS CORE

HEIGHT: 1.75 in
LENGTH: 1.16 in
WIDTH: 0.66 in
WEIGHT: 0.5 oz

MSRP \$29.99

TEAM WENDY

HEIGHT: 2.24 in
LENGTH: 1.06 in
WIDTH: 0.75 in
WEIGHT: 0.5 oz

MSRP \$29.99

M-LOK

HEIGHT: 1.76 in
LENGTH: 1.49 in
WIDTH: 0.53 in
WEIGHT: 0.5 oz

MSRP \$34.99

MADE IN THE USA



VARIARC-VS



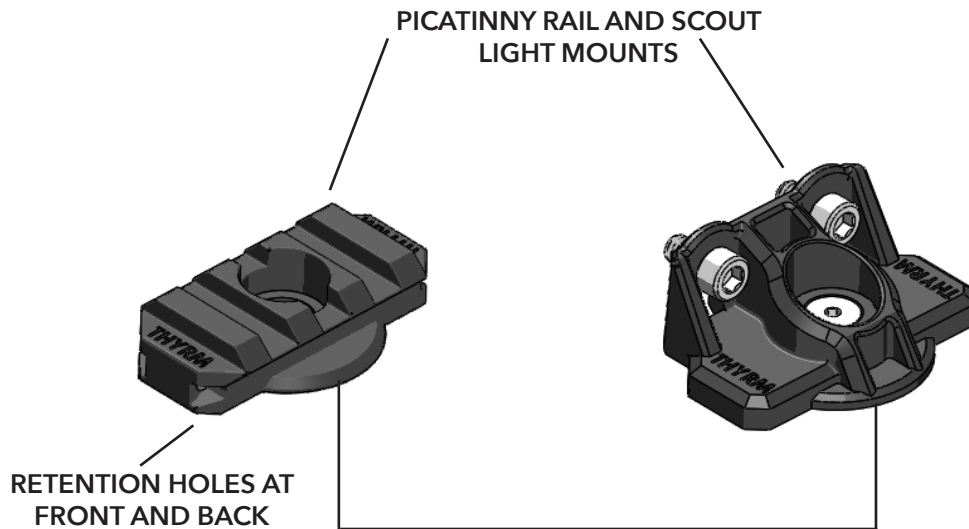
VAVS001 BLACK



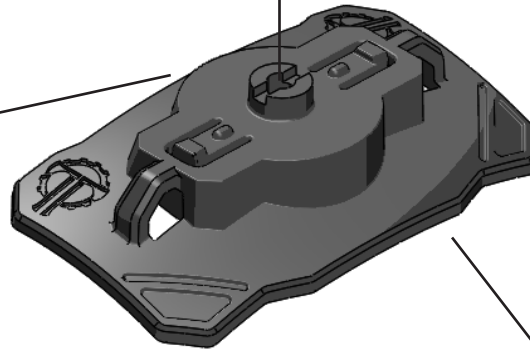
VAVS004 FDE



VAVS002 RG



POSITIVE INDEXING
IN FORWARD POSITION
TWIST TO UNLOCK FOR
8 MORE ANGLES



BASE INCLUDES HIGH-STRENGTH
HOOK VELCRO® THAT PROVIDES
SECURE ATTACHMENT WITH A
SPACE-EFFICIENT FOOTPRINT

ADDITIONAL INFORMATION:

- REINFORCED POLYMER CONSTRUCTION
- CAN BE USED IN DOWNWARD ANGLES FOR ADMIN & TASK LIGHTING
- WORKS IN VERTICAL POSITIONS FOR UMBRELLA LIGHTING ROOMS, CANOPY ILLUMINATION, AND IR STROBE SIGNALING
- COMPATIBLE WITH STANDARD 1913 PICATINNY RAIL AND SCOUT MOUNT LIGHTS (SEE WEBSITE FOR FULL LIST AND INSTALLATION INSTRUCTIONS)

SPECIFICATIONS:

HEIGHT: 2.74 in
LENGTH: 1.52 in
WIDTH: 1.13 in
WEIGHT: 1 oz

MSRP \$42.99

MADE IN THE USA

