

# DARKVAULT 2.0

---

## COMMS EVOLVED



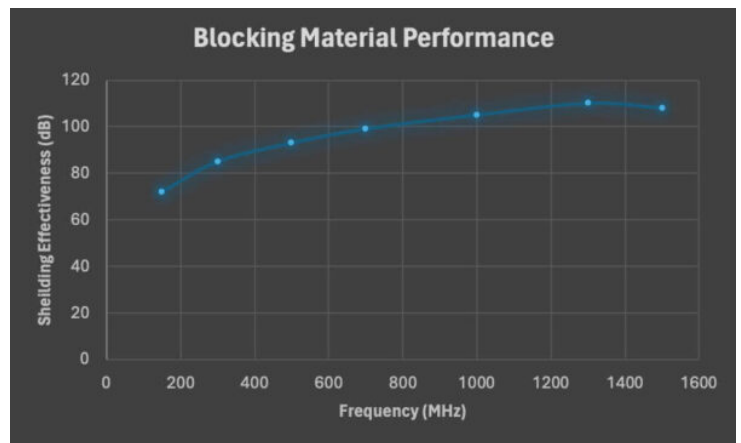
### Thyrm DarkVault 2.0 Critical Gear Case Features:

- Fully enclosed smartphone protection
- Waterproof, dustproof Poron® sealing gasket
- Integrated phone clamp
- MOLLE/PALS attachment system with full mechanical interlocks
- Lockable case latch and attachment latches
- Regular and Large sizes for most 6.1" and 6.7" phones\* in slim cases (\*diagonal screen dim)
- Designed and Made in the USA
- Comms Version Only: Adhesive window overlay can be removed for phone camera use
- Blocking Version Only: Proprietary polymer construction reduces signal transmission up to 110dB\*\*
- Optional: Custom-cut adhesive Velcro loop panels for ID/patches/accessories
- Comms Version Colors: Black, Ranger Green / OD, Tan / FDE, MultiCam / FDE
- Blocking Version Colors: MultiCam, MultiCam Black

DarkVault Cases are not rated for prolonged submersion/diving.

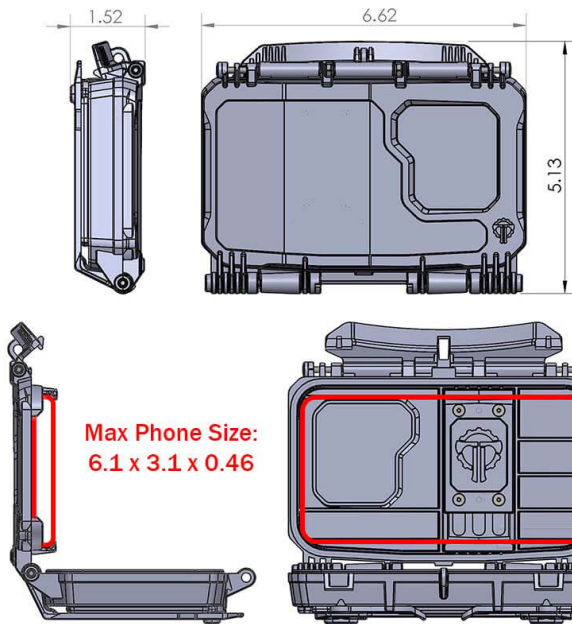
The case mounting system uses ~4 slots of MOLLE/PALS (width) and 3 inches of height. This equates to about 3 rows of webbing on a chest rig.

Thyrm's proprietary polymer construction, in the DarkVault Blocking model, reduces signal transmission by up to 110dB, making your phone significantly harder to detect and access, even when the phone is left on. The DarkVault Blocking Case is a better alternative to a faraday bag because it is easily mounted and opened/closed.

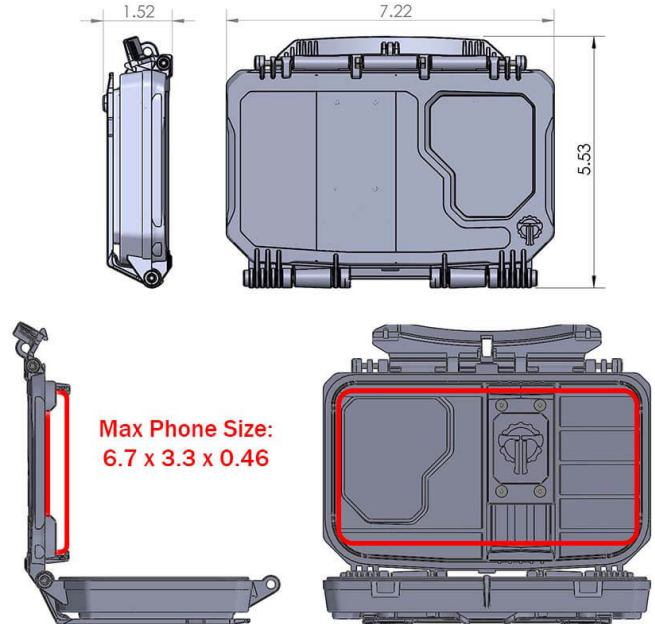


Bluetooth devices will reach through the DarkVault case because of Bluetooth's higher frequency (but limited range). This allows for the use of Mesh antenna systems such as goTenna Pro and Otto Lync Pro in addition to most headphones.

**REGULAR SIZE DIMENSIONS (INCHES)**



**LARGE SIZE DIMENSIONS (INCHES)**



Thyrm designed the DarkVault 2.0's phone holder and viewing window to work with most smartphones including those by Samsung, Apple and Google.

| DARKVAULT 2.0 REGULAR<br>(w/slim or no case)             |             |                | DARKVAULT 2.0 LARGE<br>(w/slim or no case)               |                          |                |
|--|-------------|----------------|--|--------------------------|----------------|
|  | Compatible  | Not Compatible |  | Compatible               | Not Compatible |
| APPLE  | 10-15       | Max versions   | APPLE  | 11-15Max                 |                |
| iPhone   | 11Pro-15Pro |                | iPhone   | 11proMax-15proMax        |                |
|  | iPhone SE   |                |  | iPhone XS                |                |
| SAMSUNG  | S6-S24      | Plus/Ultra     | SAMSUNG  | S8+-S24+,S23FE           | A14            |
|  |             | S23FE          |  | s21-s24 Ultra (w/o case) |                |
|  |             |                |  | A13, A23, A32            |                |
| GOOGLE   | 8           |                | GOOGLE   | 6A, 7, 7pro, 8pro        |                |
| Max Phone Size: 6.1 x 3.1 x 0.46 inches (including case) |             |                | Max Phone Size: 6.7 x 3.3 x 0.46 inches (including case) |                          |                |

Bulky phone cases may cause a compatible phone to no longer fit. Maximum dimensions for a phone case, in each DarkVault 2.0 size are: Regular: 6.1 x 3.1 x 0.46 in<sup>3</sup>; Large: 6.7 x 3.3 x 0.46 in<sup>3</sup>.

Weight of the case empty and without Velcro is 10 to 13.3 ounces, depending on size and type (Comms or Blocking).

For more information: <https://thyrm.com/product/darkvault-2/>

For order information: [deborah@thyrm.com](mailto:deborah@thyrm.com) (Deborah Frazier)

