

CELLVAULT®-ATTACHABLE BATTERY PROTECTION



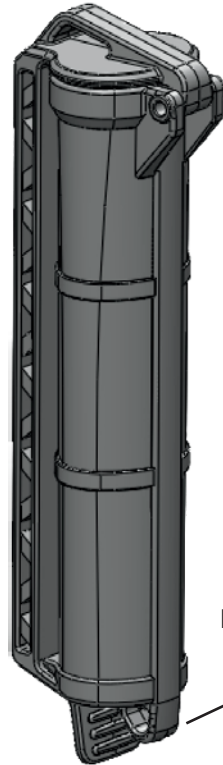
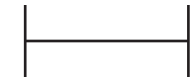
WATERPROOF - ATTACHABLE - ADAPTABLE



CELLVAULT

- 
CV001 BLACK
- 
CV002 OD
- 
CV003 RESCUE
- 
CV004 FDE
- 
CV005 GREY
- 
CV006 CLEAR
(Black Hinge)

LESS THAN 1 MOLLE
COLUMN WIDE

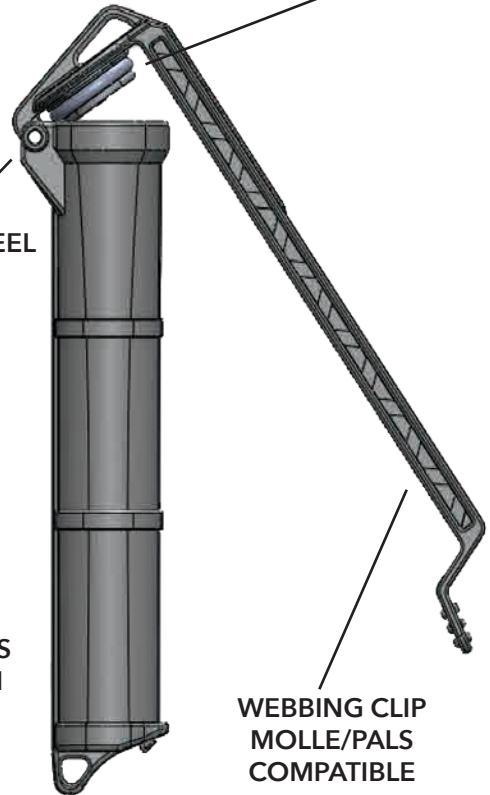


STAINLESS STEEL
HINGE PIN

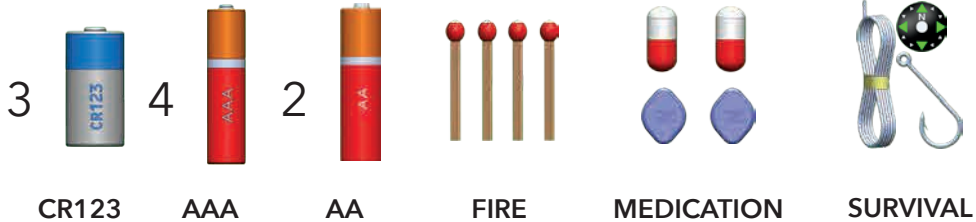
LANYARD HOLES
TOP & BOTTOM

WATERPROOF
O-RING SEAL

WEBBING CLIP
MOLLE/PALS
COMPATIBLE



CAN FIT:



CR123

AAA

AA

FIRE

MEDICATION

SURVIVAL

ADDITIONAL INFORMATION:

- DESIGNED WITH DECREASING DIAMETER TO KEEP BATTERIES LIKE CR123 AT BOTTOM SECURE. TO RELEASE BATTERIES, SQUEEZE THE SLIDES OF THE CELLVAULT WHEN OPEN AND INVERTED.
- MOUNTS TO MOLLE, WEBBING, AND STRAPS TO ALLOW MORE ROOM FOR OTHER GEAR
- CAN ALSO FIT OTHER SMALL CONSUMABLES, EMERGENCY MONEY, FLASH DRIVES, TOBACCO PRODUCTS, FIRST AID GEAR (BANDAGES, TWEEZERS, ETC.)

SPECIFICATIONS:

LENGTH: 5.1 in
WIDTH: 1.1 in
HEIGHT: 1.3 in
WEIGHT: 1.1 oz

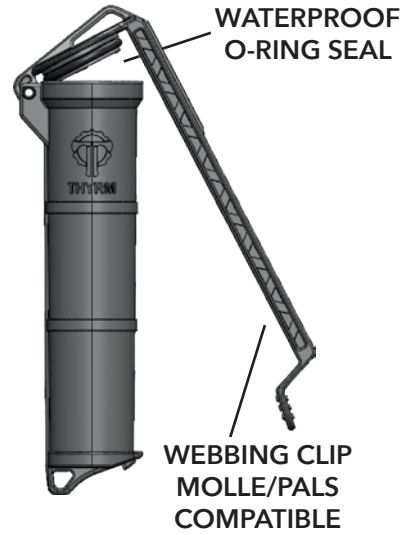
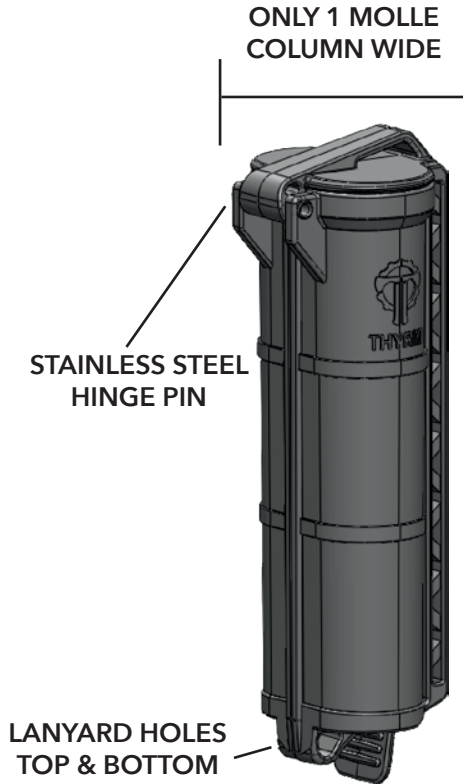
MSRP \$19.99

MADE IN THE USA

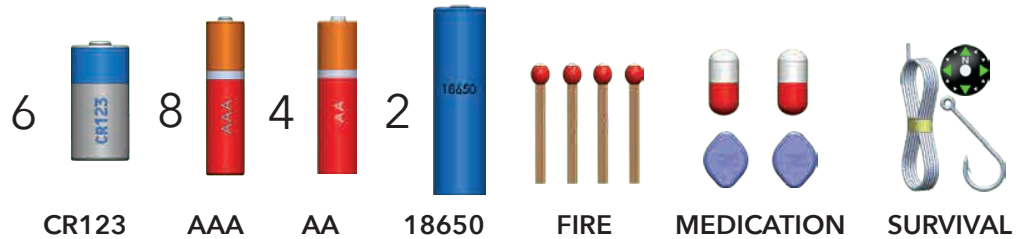


CELLVAULT XL

- 
CVXL001 BLACK
- 
CVXL002 OD
- 
CVXL003 RESCUE
- 
CVXL004 FDE
- 
CVXL005 GREY
- 
CVXL006 CLEAR
(Black Hinge)
- 
CVXL009 CLEAR
(Red Hinge)



CAN FIT:



ADDITIONAL INFORMATION:

- CAN ALSO FIT OTHER SMALL CONSUMABLES, EMERGENCY MONEY, FLASH DRIVES, A SEWING KIT, TOBACCO PRODUCTS, FIRST AID GEAR (BANDAGES, TWEEZERS, ETC.)

SPECIFICATIONS:

HEIGHT: 5.1 in
LENGTH: 1.9 in
WIDTH: 1.8 in
WEIGHT: 1.8 oz

MSRP \$29.99

MADE IN THE USA



CELLVAULT-18 & 21-HIGH ENERGY PROTECTION



WATERPROOF - ATTACHABLE - ADAPTABLE



CELLVAULT-18

CV18001 BLACK



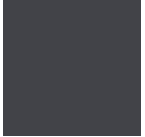
CV18002 OD



CV18003 RESCUE

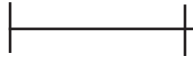


CV18004 FDE



CV18005 GREY

LESS THAN 1 MOLLE
COLUMN WIDE

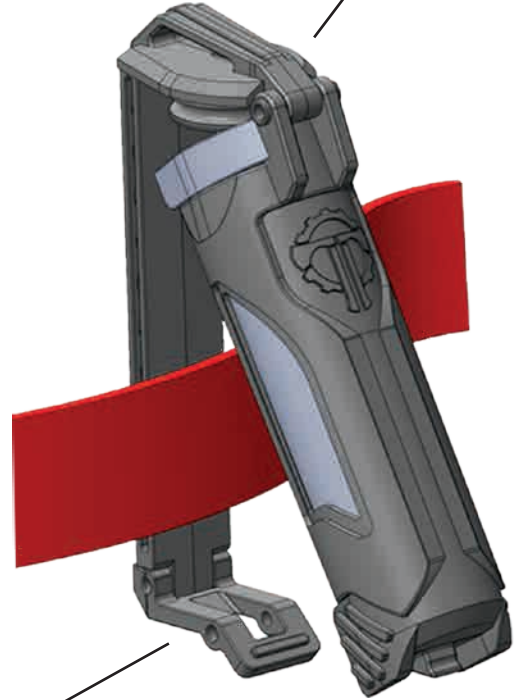


SIDE VIEWING
WINDOWS



WEBBING CLIP
MOLLE/PALS
COMPATIBLE

IPX7
WATERPROOF
O-RING SEAL



HEAVY DUTY
LATCH

CAN FIT:

2



CR123

2



18350

1



18650

ADDITIONAL INFORMATION:

- COMES WITH SILICONE FOAM SHOCK ABSORBER/NOISE SILENCER
- WATERPROOF O-RING SEAL RATED TO IPX7 AT 2 METERS FOR 30+ MINUTES

SPECIFICATIONS:

HEIGHT: 4.38 in
LENGTH: 1.57 in
WIDTH: 1.10 in
WEIGHT: 1.3 oz

MSRP \$24.99

MADE IN THE USA



CELLVAULT-21

CV21001 BLACK



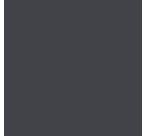
CV21002 OD



CV21003 RESCUE



CV21004 FDE

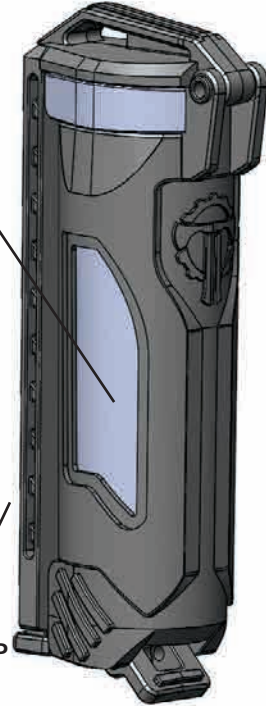


CV21005 GREY

LESS THAN 1 MOLLE
COLUMN WIDE

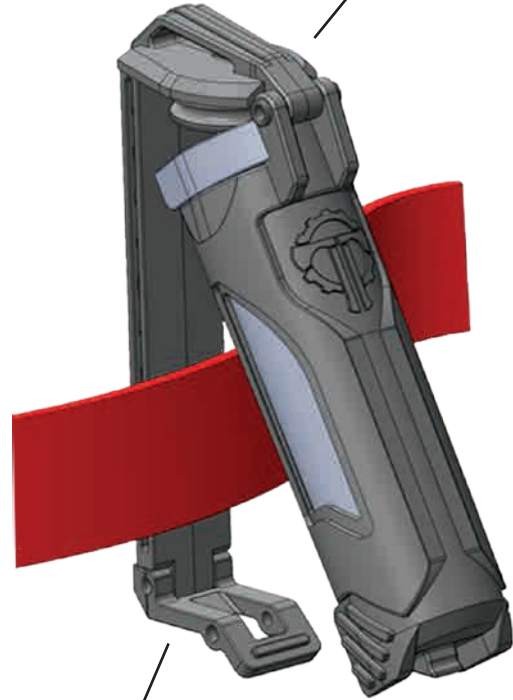


SIDE VIEWING
WINDOWS



WEBBING CLIP
MOLLE/PALS
COMPATIBLE

IPX7
WATERPROOF
O-RING SEAL



HEAVY DUTY
LATCH

CAN FIT:

1



21700

ADDITIONAL INFORMATION:

- COMES WITH SILICONE FOAM SHOCK ABSORBER/NOISE SILENCER
- COMES WITH A DETACHABLE LATCH FOR ATTACHMENT TO MOLLE
- WATERPROOF O-RING SEAL RATED TO IPX7 AT 2 METERS FOR 30+ MINUTES

SPECIFICATIONS:

HEIGHT: 4.43 in
LENGTH: 1.71 in
WIDTH: 1.22 in
WEIGHT: 1.7 oz

MSRP \$26.99

MADE IN THE USA



CELLVAULT-5M - MODULAR PROTECTION



CUSTOMIZABLE BATTERY CASE FOR EXTENDED MISSIONS



CELLVAULT-5M

CV5M001 BLACK

CV5M002 OD

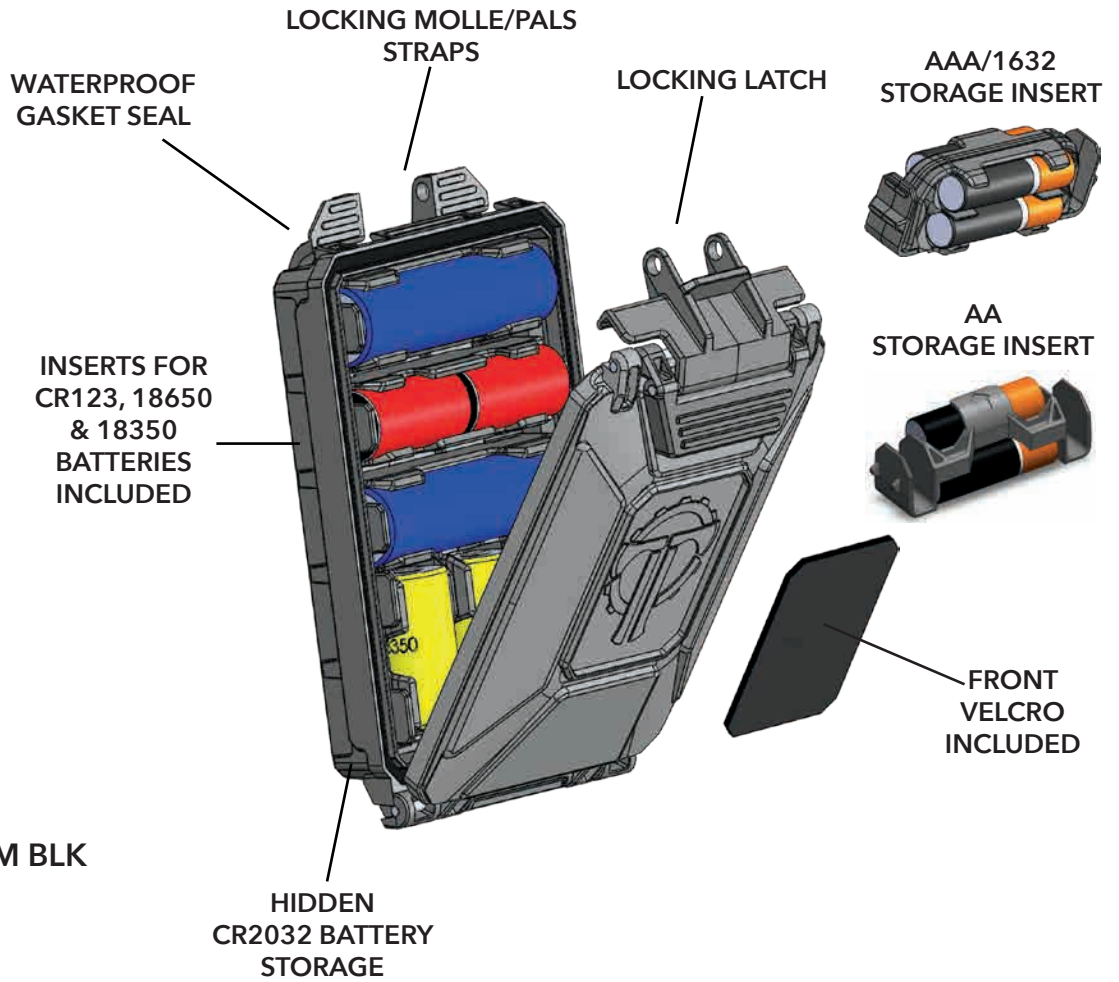
CV5M003 RESCUE

CV5M004 FDE

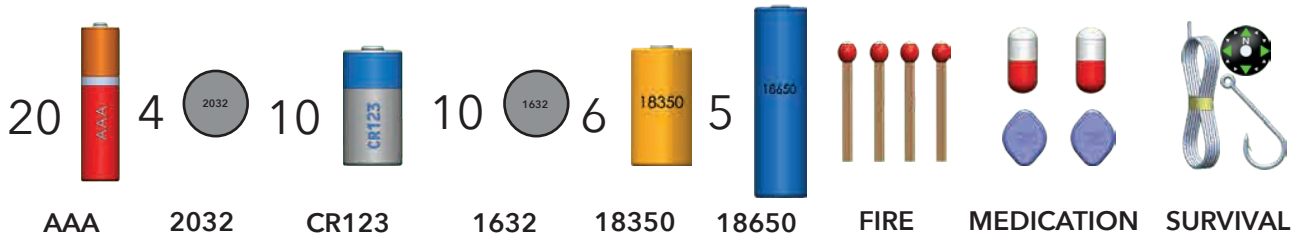
DVCH4MC MULTICAM

DVCH1MCB MULTICAM BLK

DVCH2MCT MULTICAM TPC



FITS UP TO:



ADDITIONAL INFORMATION:

- CAN BE PURCHASED WITH ADDITIONAL INSERTS FOR MAKING EVEN MORE STORAGE CONFIGURATIONS AND/OR WITH VELCRO BATTERY PATCHES TO DESIGNATE THE CONTENTS OF THE CASE

SPECIFICATIONS:

HEIGHT: 5.75 in
 LENGTH: 3.43 in
 WIDTH: 1.62 in
 WEIGHT: 7 oz

MSRP \$54.99-64.99

MADE IN THE USA

