

DARKVAULT® CRITICAL GEAR CASES



MOUNTABLE PROTECTION FOR
CRITICAL ELECTRONICS AND
MOBILE COMMUNICATIONS



DARKVAULT (ORIGINAL)

A FULLY ENCLOSED MULTI-USE CRITICAL GEAR CASE THAT MOUNTS TO MOLLE/PALS FOR FAST ACCESS TO ELECTRONICS, TOOLS, ETC



DVC001 BLACK



DVC002 OD



DVC003 RESCUE



DVC004 FDE



DVCH4MC MULTICAM

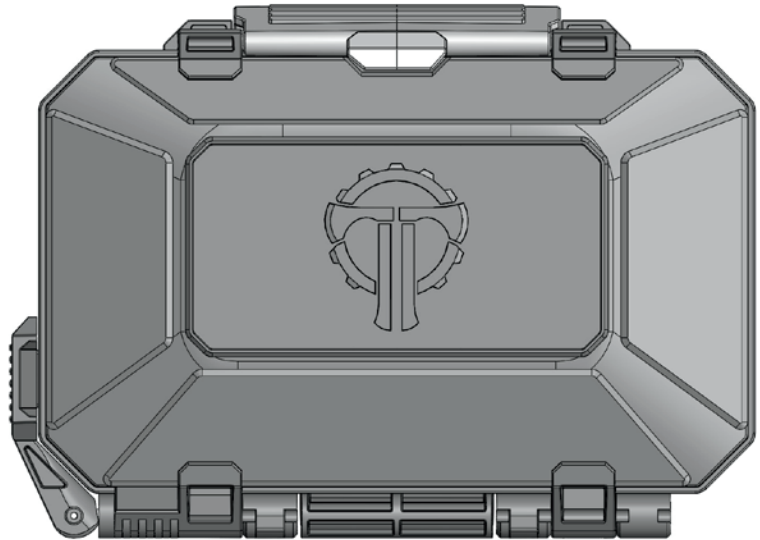


DVCH1MCB MULTICAM BLK



DVCH2MCT MULTICAM TPC

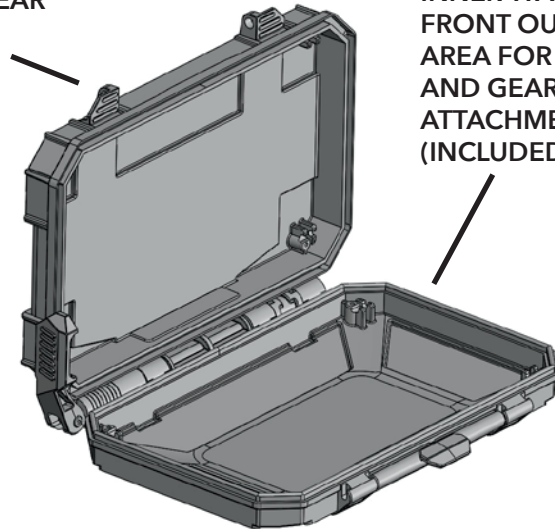
STOWABLE THROW
LEVER ALLOWS
ADJUSTABLE HINGE
FRICTION TO
CUSTOMIZE
DISPLAY ANGLE



DURABLE NYLON POLYMER SHELL WITH FULL PERIMETER GASKET SEAL FOR PROTECTION FROM IMPACTS AND THE ENVIRONMENT

FAST-ATTACH MOLLE/PALS
STRAPS ALLOW FOR QUICK
ATTACHMENT TO GEAR
(INCLUDED)

ADHESIVE-BACKED
VELCRO PANELS FOR
INNER WALLS AND
FRONT OUTER LOGO
AREA FOR PATCHES
AND GEAR
ATTACHMENT
(INCLUDED)



SPECIFICATIONS:

LENGTH: 8.5in
WIDTH: 8 in
HEIGHT: 1.7 in
WEIGHT: 11 oz

MSRP \$59.99-69.99

MADE IN THE USA



DARKVAULT 2.0

COMMS VERSIONS



REG: DVC2Reg1
LRG: DVC2Lrg1



REG: DVC2Reg2
LRG: DVC2Lrg2

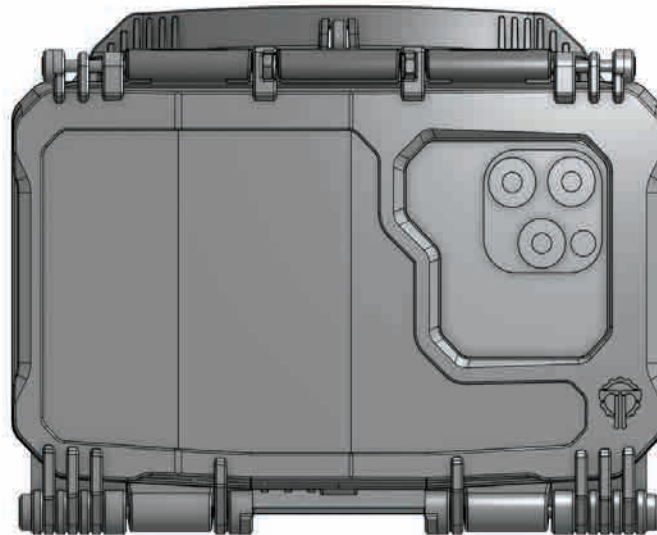


REG: DVC2Reg4
LRG: DVC2Lrg4



REG: DVC2RegHMC
LRG: DVC2LrgHMC

FULLY ENCLOSED COMMS PLATFORM RAPIDLY SECURES PHONE AND PROVIDES COMPLETE PROTECTION. TWO SIZES: REGULAR FOR 6.1" PHONES & LARGE FOR 6.7"+ PHONES. SEE THYRM.COM FOR PHONE COMPATIBILITY INFORMATION



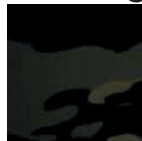
CLEAR WINDOW (COMMS VERSION) ALLOWS CAMERAS TO VIEW ENVIRONMENT

ADJUSTABLE HINGE FRICTION TO CUSTOMIZE DISPLAY ANGLE

BLOCKING VERSIONS

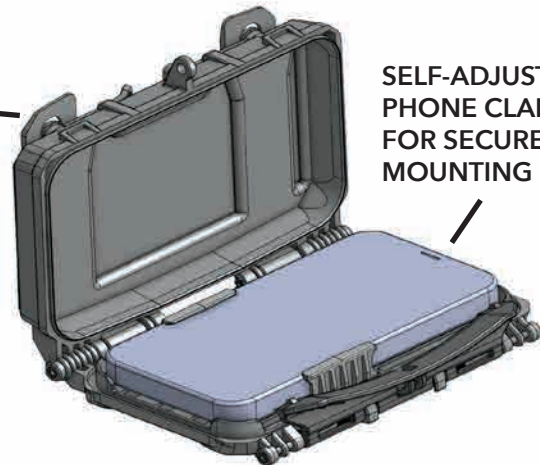


REG: DVB2RegHMC
LRG: DVB2LrgHMC



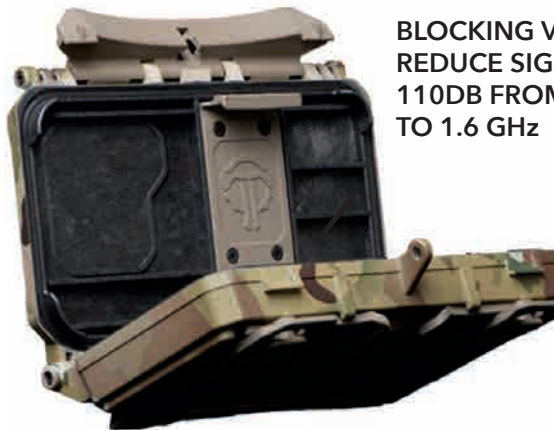
REG: DVB2RegMCB
LRG: DVB2LrgMCB

RAPID, LOCKING MOLLE/PALS ATTACHMENT SYSTEM FOR PLATE CARRIERS AND CHEST RIGS



SELF-ADJUSTING PHONE CLAMP FOR SECURE MOUNTING

BLOCKING VERSIONS REDUCE SIGNAL UP TO 110DB FROM 200 MHz TO 1.6 GHz



SPECIFICATIONS:

REGULAR

LARGE

LENGTH: 6.75 in
WIDTH: 6 in
HEIGHT: 1.5 in
WEIGHT: 10-13oz

LENGTH: 7.3 in
WIDTH: 6 in
HEIGHT: 1.5 in
WEIGHT: 10-13oz

MSRP

\$89.99 to
\$139.99

MSRP

\$94.99 to
\$149.99

MADE IN THE USA

