



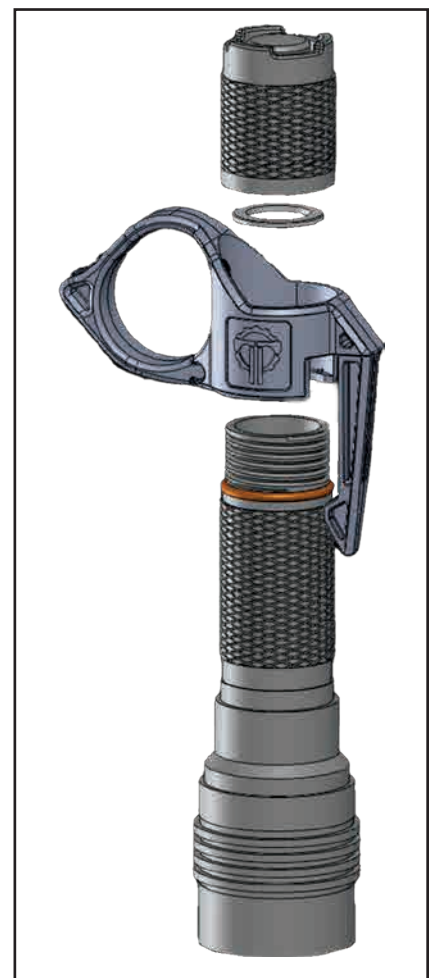
THYRM
2025



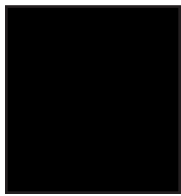
SWITCHBACK® FLASHLIGHT RINGS



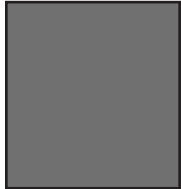
FASTER DEPLOYMENT - BETTER RETENTION - NATURAL SHOOTING



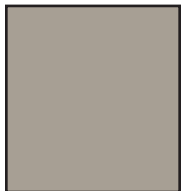
SWITCHBACK 2.0



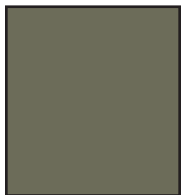
SB007 BLACK



SB008 GREY



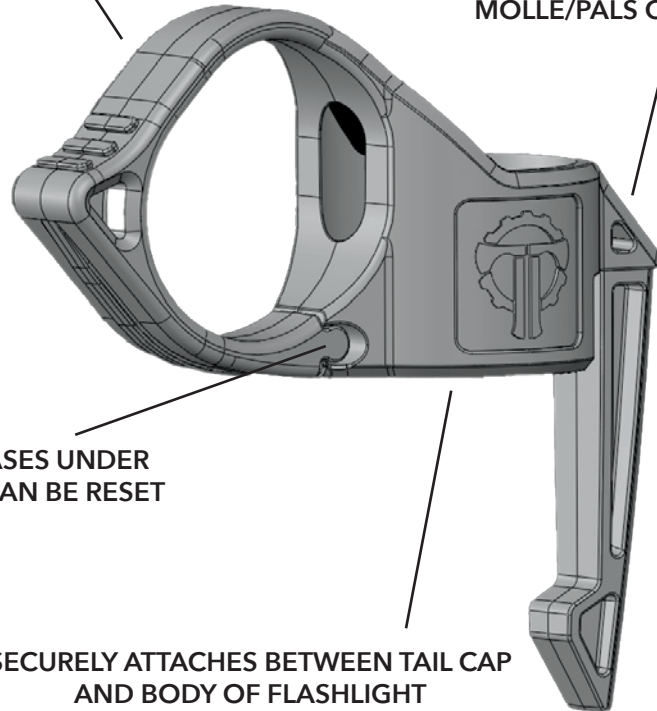
SB009 TAN



SB0010 OD
(Sage Instruments
Edition)

RING FACILITATES USE OF THE
"SWITCHBACK TECHNIQUE" FOR
A NATURAL SHOOTING GRIP

DURABLE, AMBIDEXTROUS
POCKET CLIP IS ALSO
MOLLE/PALS COMPATIBLE



RING RELEASES UNDER
LOAD AND CAN BE RESET

SECURELY ATTACHES BETWEEN TAIL CAP
AND BODY OF FLASHLIGHT

TECHNIQUE

ALL SWITCHBACKS ALLOW THE USER TO:

- Reliably deploy and index a flashlight from both pockets and pouches, using the SwitchBack's rigid but releasable retention ring.
- Shoot using a natural two-handed grip (the Switch-Back technique).
- Employ all traditional low light techniques such as neck index, modified FBI and Harries.
- Positively retain the light when drawing a firearm, reloading, and addressing a firearm malfunction.

MSRP \$19.99

COMPATIBILITY

1" DIAMETER TAILCAP LIGHTS BY:

- | | |
|--------------|-------------------|
| - Modlite | - Cloud Defensive |
| - Surefire | - Pelican |
| - Fenix | - Streamlight |
| - Nitecore | - Elzetta |
| - Foursevens | - Powertac |

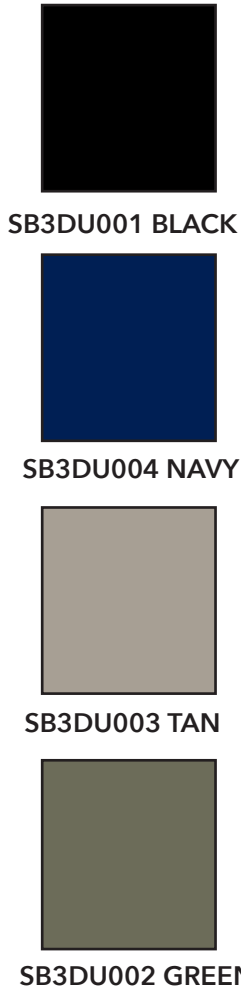
AND MORE

See the SwitchBack 2.0 Product page at thyrn.com for a full compatibility list

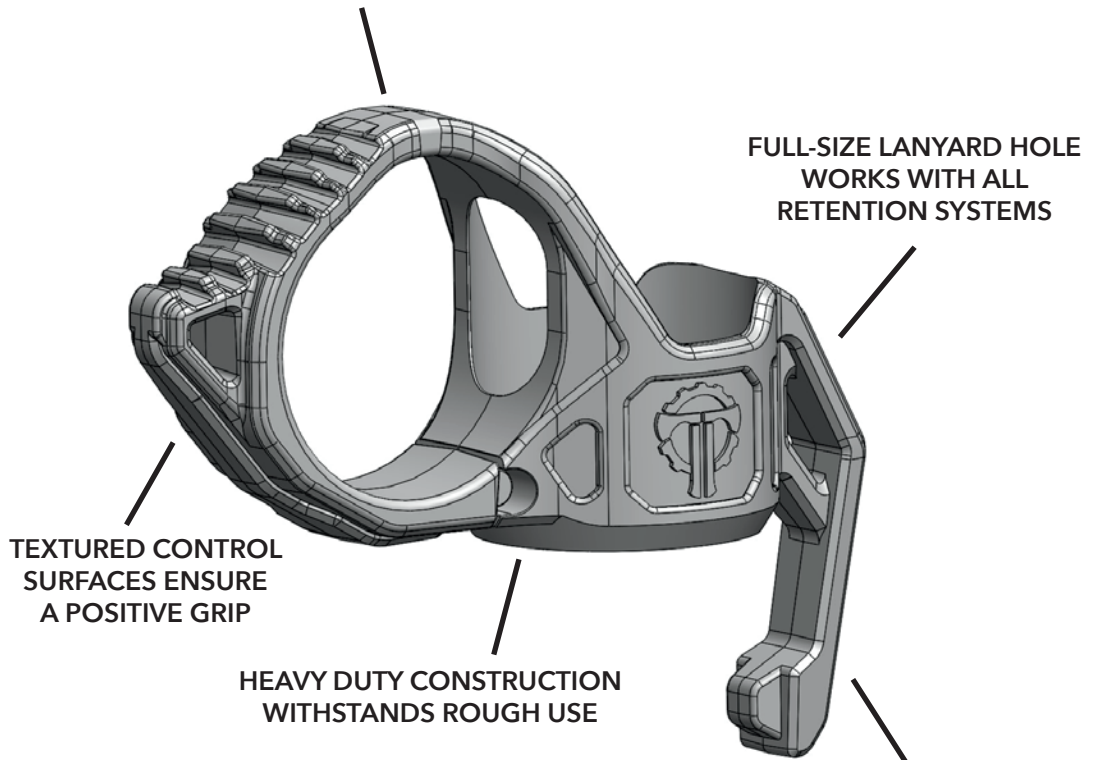
MADE IN THE USA



NEW! SWITCHBACK 3.0 DUTY



LARGER RING IS PATROL GLOVE COMPATIBLE
& FACILITATES USE OF THE
"SWITCHBACK TECHNIQUE" FOR
A NATURAL SHOOTING GRIP



SHORTER, AMBIDEXTROUS
POCKET CLIP IS ALSO
MOLLE/PALS COMPATIBLE
AND ALLOWS FOR DEEPER
POUCH CARRY

COMPATIBILITY

1" DIAMETER TAILCAP LIGHTS BY:

- Modlite
- Surefire
- Fenix
- Nitecore
- Foursevens
- Cloud Defensive
- Pelican
- Streamlight
- Elzetta
- Powertac

AND MORE

See the SwitchBack product page at thyrm.com for a full compatibility list

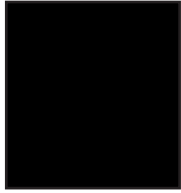


MSRP \$19.99

MADE IN THE USA



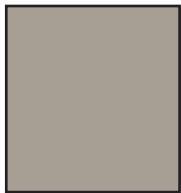
NEW! SWITCHBACK 3.0 DEEP CARRY



SB3DP7 BLACK



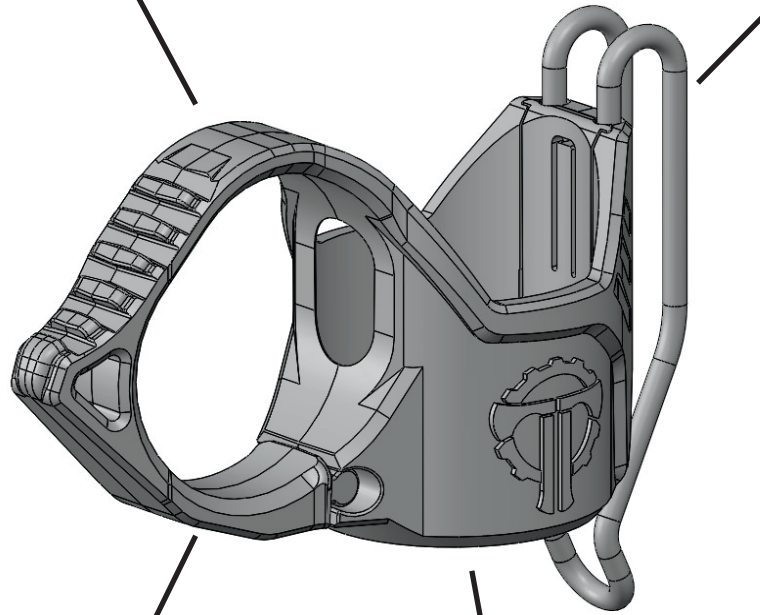
SB3DP8 NAVY



SB3DP9 TAN

SLIM RING FACILITATES USE OF THE "SWITCHBACK TECHNIQUE" FOR A NATURAL SHOOTING GRIP

STEEL WIRE POCKET CLIP POSITIONS FLASHLIGHT BELOW THE POCKET LINE FOR COVERT CARRY



RING RELEASES UNDER LOAD AND CAN BE RESET

SECURELY ATTACHES BETWEEN TAIL CAP AND BODY OF FLASHLIGHT



COMPATIBILITY

1" DIAMETER TAILCAP LIGHTS BY:

- Modlite
- Surefire
- Fenix
- Nitecore
- Foursevens
- Cloud Defensive
- Pelican
- Streamlight
- Elzetta
- Powertac

AND MORE

See the SwitchBack product pages at thyrn.com for a full compatibility list

MSRP \$24.99

MADE IN THE USA



SWITCHBACK DF

WIDE THUMB REST WITH TRACTION FEATURES

RETENTION TAB FOR IMPROVED HANDLING



DURABLE FINGER RING WITH RELEASE

STRONG POCKET CLIP THAT ALSO WORKS WITH MOLLE/PALS WEBBING



SB0011 BLACK



SB0012 GREY



SB0013 TAN

COMPATIBILITY

SUREFIRE FURY DFT,
SUREFIRE FURY INTELLIBEAM DF,
PELICAN 7600, CONVOY S21A, FENIX HT30R,
FENIX WF-26R, JETBEAM RRT-M1X,
ACEBEAM L30 GEN II

MSRP \$19.99

MADE IN THE USA



SWITCHBACK HOG

WIDE THUMB REST WITH TRACTION FEATURES



DURABLE FINGER RING WITH RELEASE

STRONG POCKET CLIP THAT ALSO WORKS WITH MOLLE/PALS WEBBING



SB0015 BLACK



SB0016 GREY



SB0017 TAN



SB0018 OD

COMPATIBILITY

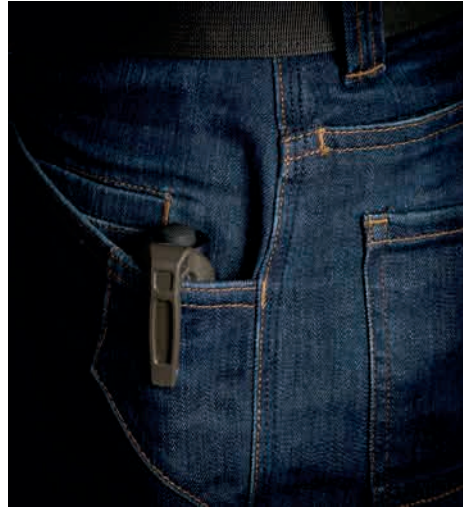
SPECIFICALLY MADE FOR THE MODLITE HOG FLASHLIGHT

MSRP \$19.99

MADE IN THE USA



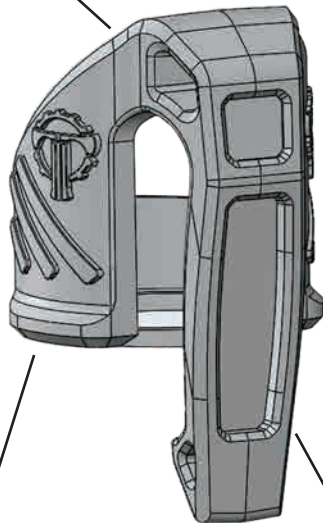
LPC CLIP - LOW-PROFILE EDC CARRY



FULL-SIZED LANYARD HOLE
FOR ADDITIONAL RETENTION
OPTIONS



LPC001 BLACK LPC002 GREY LPC003 TAN LPC004 OD



WINGLETS ALLOW FOR FASTER
DEPLOYMENT AND ALTERNATE
GRIP TECHNIQUES

DURABLE, AMBIDEXTROUS
POCKET CLIP WON'T
SCRATCH SURROUNDINGS

COMPATIBILITY

COMPATIBLE WITH FLASHLIGHTS FROM
MODLITE, CLOUD DEFENSIVE, SUREFIRE,
AND MANY OTHER BRANDS
(SEE WEBSITE FOR FULL LIST)

TECHNIQUE

- DESIGNED TO MINIMIZE EXPOSURE WHILE STILL ALLOWING THE USER TO INDEX AND DRAW A FLASHLIGHT IN ALL CONDITIONS
- SURFACES HELP TO FACILITATE ALTERNATE GRIP TECHNIQUES

MSRP \$17.99

MADE IN THE USA



CELLVAULT®-ATTACHABLE BATTERY PROTECTION



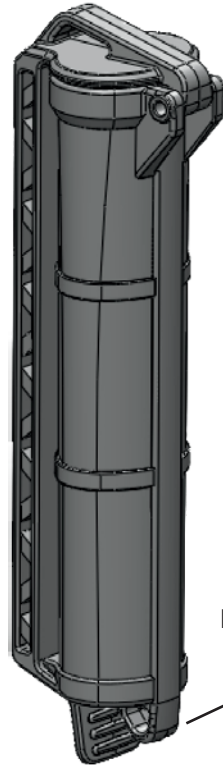
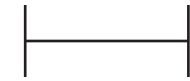
WATERPROOF - ATTACHABLE - ADAPTABLE



CELLVAULT

- 
CV001 BLACK
- 
CV002 OD
- 
CV003 RESCUE
- 
CV004 FDE
- 
CV005 GREY
- 
CV006 CLEAR
(Black Hinge)

LESS THAN 1 MOLLE
COLUMN WIDE

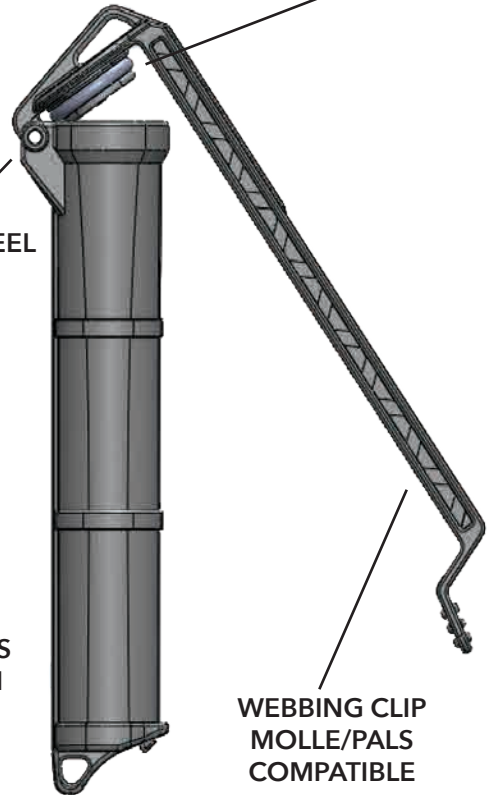


STAINLESS STEEL
HINGE PIN

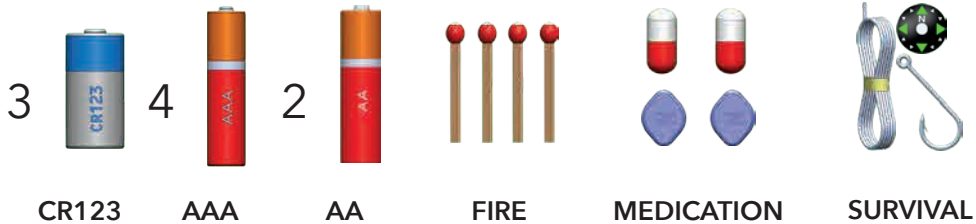
LANYARD HOLES
TOP & BOTTOM

WATERPROOF
O-RING SEAL

WEBBING CLIP
MOLLE/PALS
COMPATIBLE



CAN FIT:



CR123

AAA

AA

FIRE

MEDICATION

SURVIVAL

ADDITIONAL INFORMATION:

- DESIGNED WITH DECREASING DIAMETER TO KEEP BATTERIES LIKE CR123 AT BOTTOM SECURE. TO RELEASE BATTERIES, SQUEEZE THE SLIDES OF THE CELLVAULT WHEN OPEN AND INVERTED.
- MOUNTS TO MOLLE, WEBBING, AND STRAPS TO ALLOW MORE ROOM FOR OTHER GEAR
- CAN ALSO FIT OTHER SMALL CONSUMABLES, EMERGENCY MONEY, FLASH DRIVES, TOBACCO PRODUCTS, FIRST AID GEAR (BANDAGES, TWEEZERS, ETC.)

SPECIFICATIONS:

LENGTH: 5.1 in
WIDTH: 1.1 in
HEIGHT: 1.3 in
WEIGHT: 1.1 oz

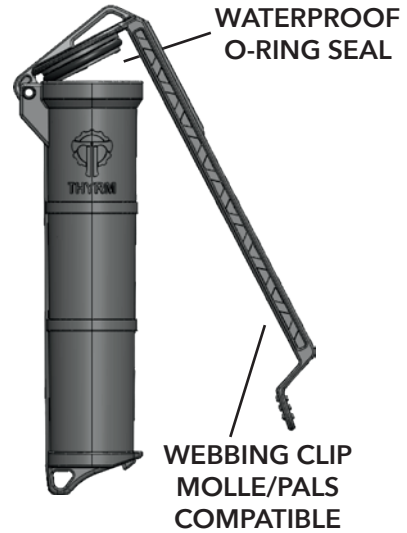
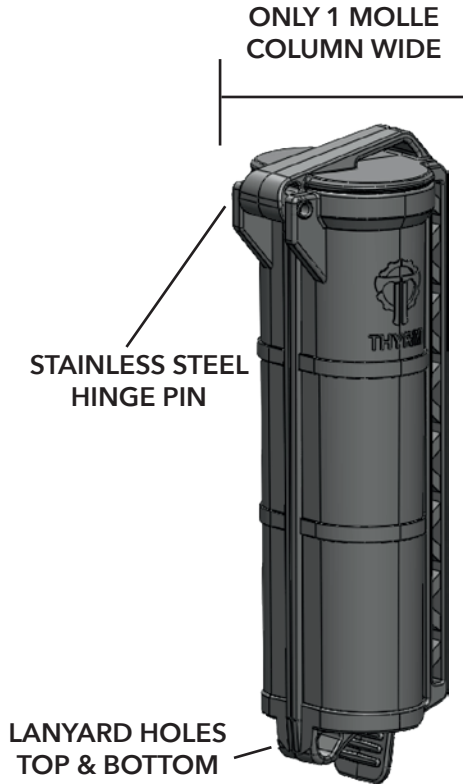
MSRP \$19.99

MADE IN THE USA

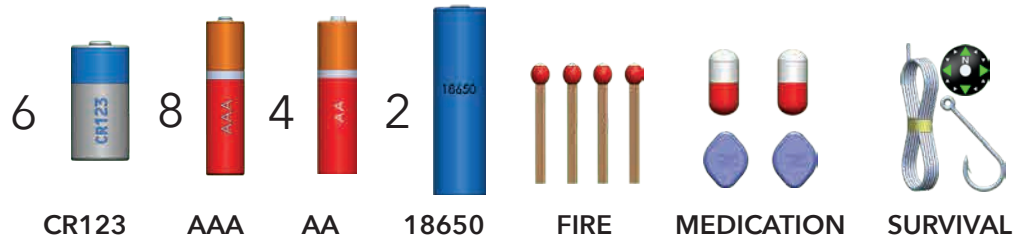


CELLVAULT XL

-  CVXL001 BLACK
-  CVXL002 OD
-  CVXL003 RESCUE
-  CVXL004 FDE
-  CVXL005 GREY
-  CVXL006 CLEAR
(Black Hinge)
-  CVXL009 CLEAR
(Red Hinge)



CAN FIT:



ADDITIONAL INFORMATION:

- CAN ALSO FIT OTHER SMALL CONSUMABLES, EMERGENCY MONEY, FLASH DRIVES, A SEWING KIT, TOBACCO PRODUCTS, FIRST AID GEAR (BANDAGES, TWEEZERS, ETC.)

SPECIFICATIONS:

HEIGHT: 5.1 in
 LENGTH: 1.9 in
 WIDTH: 1.8 in
 WEIGHT: 1.8 oz

MSRP \$29.99

MADE IN THE USA



CELLVAULT-18 & 21-HIGH ENERGY PROTECTION



WATERPROOF - ATTACHABLE - ADAPTABLE



CELLVAULT-18

CV18001 BLACK



CV18002 OD



CV18003 RESCUE

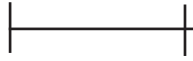


CV18004 FDE



CV18005 GREY

LESS THAN 1 MOLLE
COLUMN WIDE

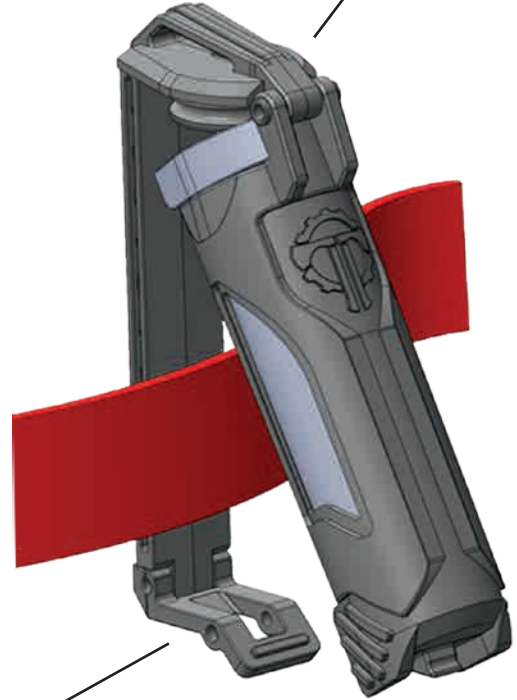


SIDE VIEWING
WINDOWS



WEBBING CLIP
MOLLE/PALS
COMPATIBLE

IPX7
WATERPROOF
O-RING SEAL



HEAVY DUTY
LATCH

CAN FIT:

2



CR123

2



18350

1



18650

ADDITIONAL INFORMATION:

- COMES WITH SILICONE FOAM SHOCK ABSORBER/NOISE SILENCER
- WATERPROOF O-RING SEAL RATED TO IPX7 AT 2 METERS FOR 30+ MINUTES

SPECIFICATIONS:

HEIGHT: 4.38 in
LENGTH: 1.57 in
WIDTH: 1.10 in
WEIGHT: 1.3 oz

MSRP \$24.99

MADE IN THE USA



CELLVAULT-21

CV21001 BLACK



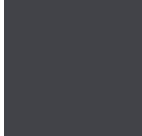
CV21002 OD



CV21003 RESCUE



CV21004 FDE

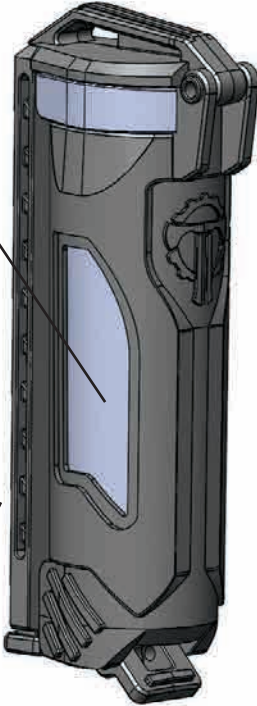


CV21005 GREY

LESS THAN 1 MOLLE
COLUMN WIDE

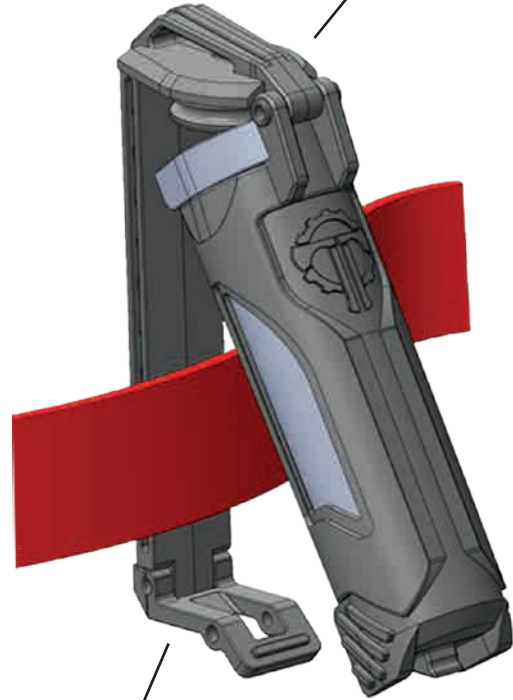


SIDE VIEWING
WINDOWS



WEBBING CLIP
MOLLE/PALS
COMPATIBLE

IPX7
WATERPROOF
O-RING SEAL



HEAVY DUTY
LATCH

CAN FIT:

1



21700

ADDITIONAL INFORMATION:

- COMES WITH SILICONE FOAM SHOCK ABSORBER/NOISE SILENCER
- COMES WITH A DETACHABLE LATCH FOR ATTACHMENT TO MOLLE
- WATERPROOF O-RING SEAL RATED TO IPX7 AT 2 METERS FOR 30+ MINUTES

SPECIFICATIONS:

HEIGHT: 4.43 in
LENGTH: 1.71 in
WIDTH: 1.22 in
WEIGHT: 1.7 oz

MSRP \$26.99

MADE IN THE USA



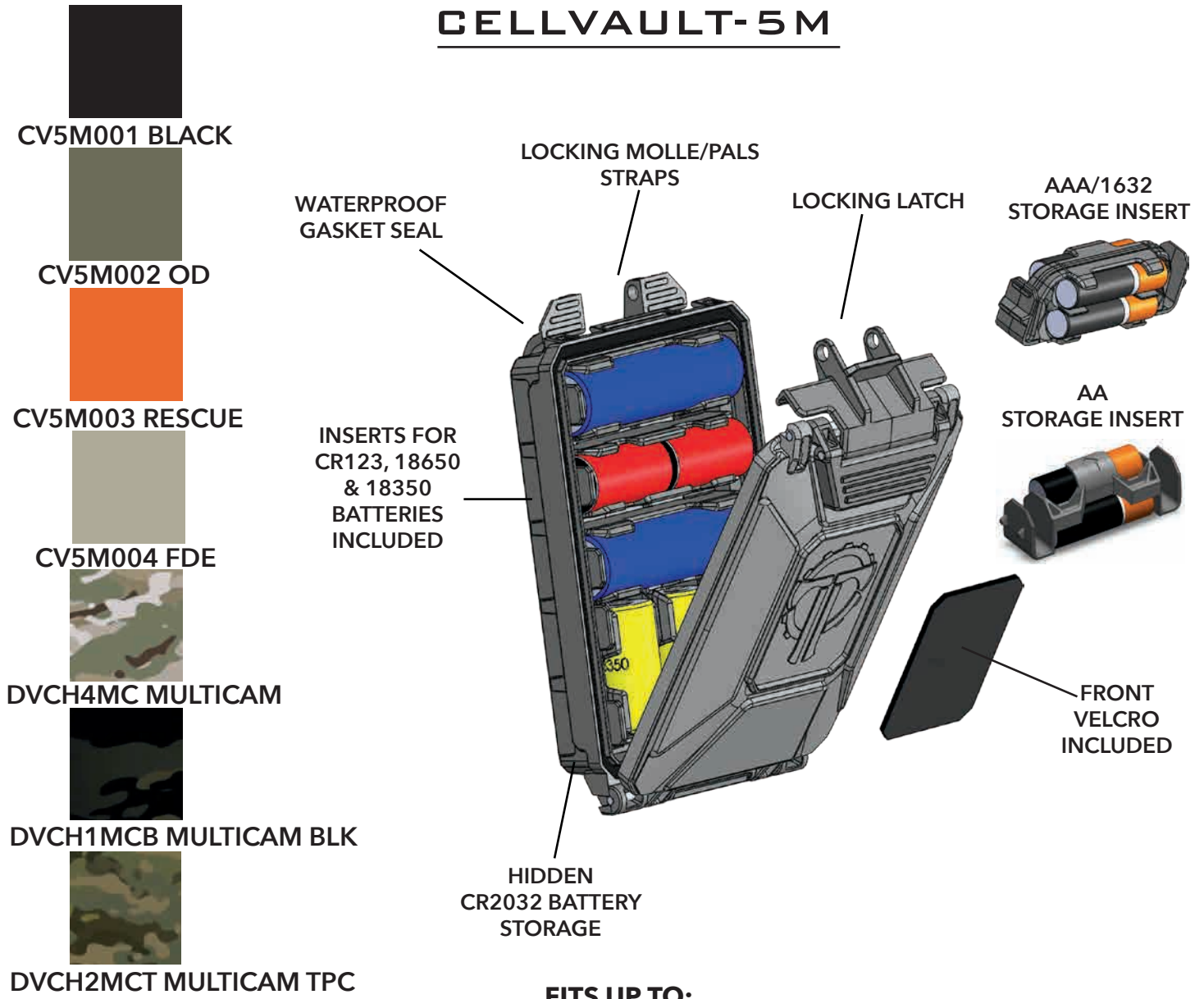
CELLVAULT-5M - MODULAR PROTECTION



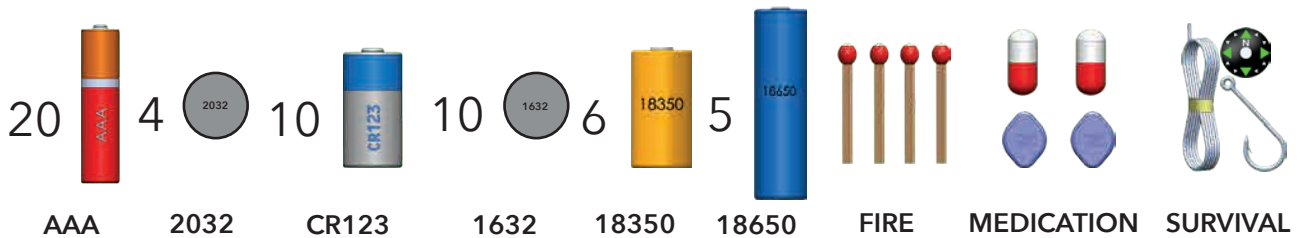
CUSTOMIZABLE BATTERY CASE FOR EXTENDED MISSIONS



CELLVAULT-5M



FITS UP TO:



ADDITIONAL INFORMATION:

- CAN BE PURCHASED WITH ADDITIONAL INSERTS FOR MAKING EVEN MORE STORAGE CONFIGURATIONS AND/OR WITH VELCRO BATTERY PATCHES TO DESIGNATE THE CONENTS OF THE CASE

SPECIFICATIONS:

HEIGHT: 5.75 in
 LENGTH: 3.43 in
 WIDTH: 1.62 in
 WEIGHT: 7 oz

MSRP \$54.99-64.99

MADE IN THE USA



VARIARC® - LIGHT COMES FULL CIRCLE

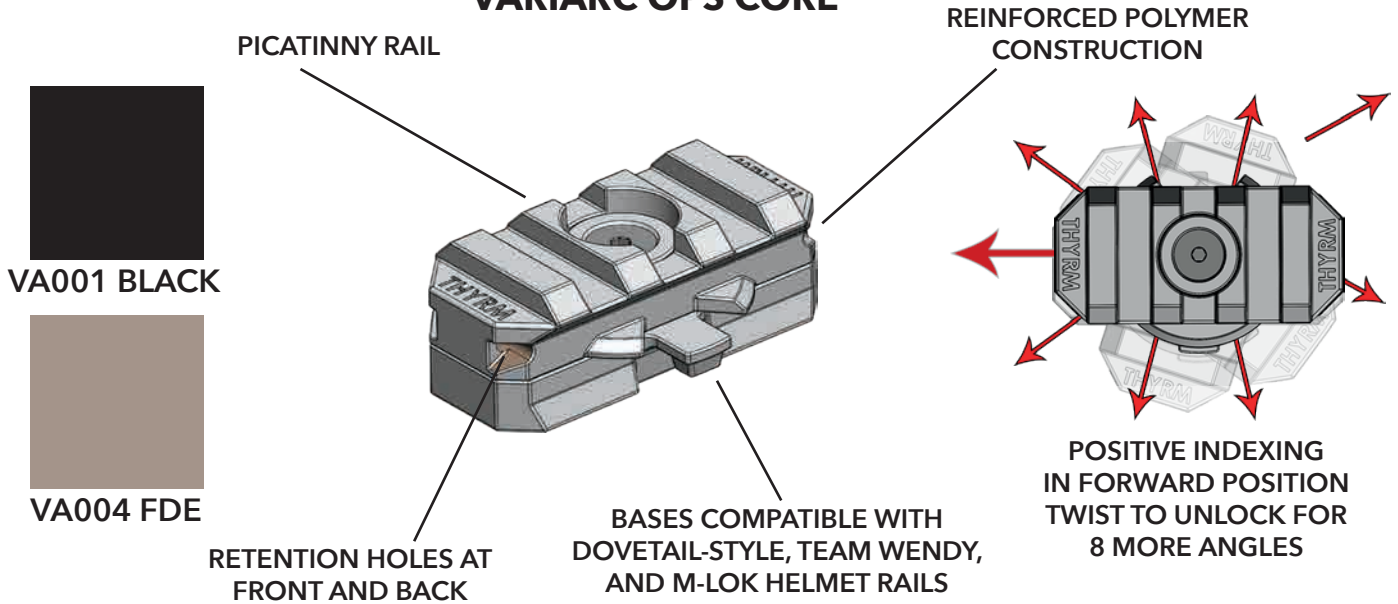


LOW-PROFILE HELMET MOUNT - ROTATIONAL INDEXING

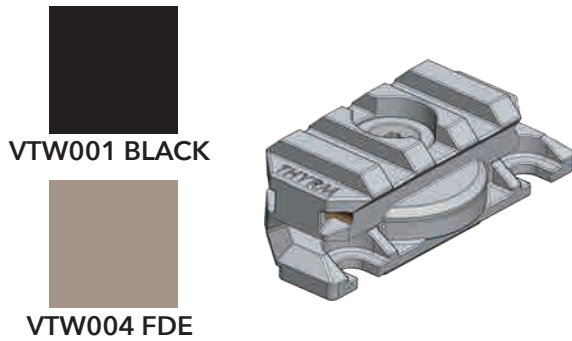


VARIARC: HELMET SPECIFIC

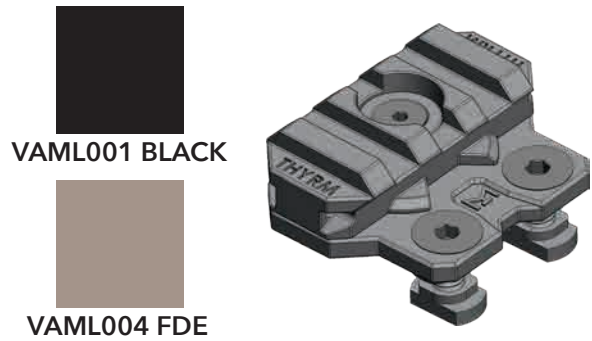
VARIARC OPS CORE



VARIARC TEAM WENDY



VARIARC M-LOK



ADDITIONAL INFORMATION:

- CAN BE USED IN DOWNWARD ANGLES FOR ADMIN & TASK LIGHTING
- WORKS IN VERTICAL POSITIONS FOR UMBRELLA LIGHTING ROOMS, CANOPY ILLUMINATION, AND IR STROBE SIGNALING
- COMPATIBLE WITH STANDARD 1913 PICATINNY RAIL LIGHTS (SEE WEBSITE FOR FULL LIST AND INSTALLATION INSTRUCTIONS)

SPECIFICATIONS:

OPS CORE
 LENGTH: 1.75 in
 WIDTH: 1.16 in
 HEIGHT: 0.66 in
 WEIGHT: 0.5 oz

MSRP \$29.99

TEAM WENDY
 LENGTH: 2.24 in
 WIDTH: 1.06 in
 HEIGHT: 0.75 in
 WEIGHT: 0.5 oz

MSRP \$29.99

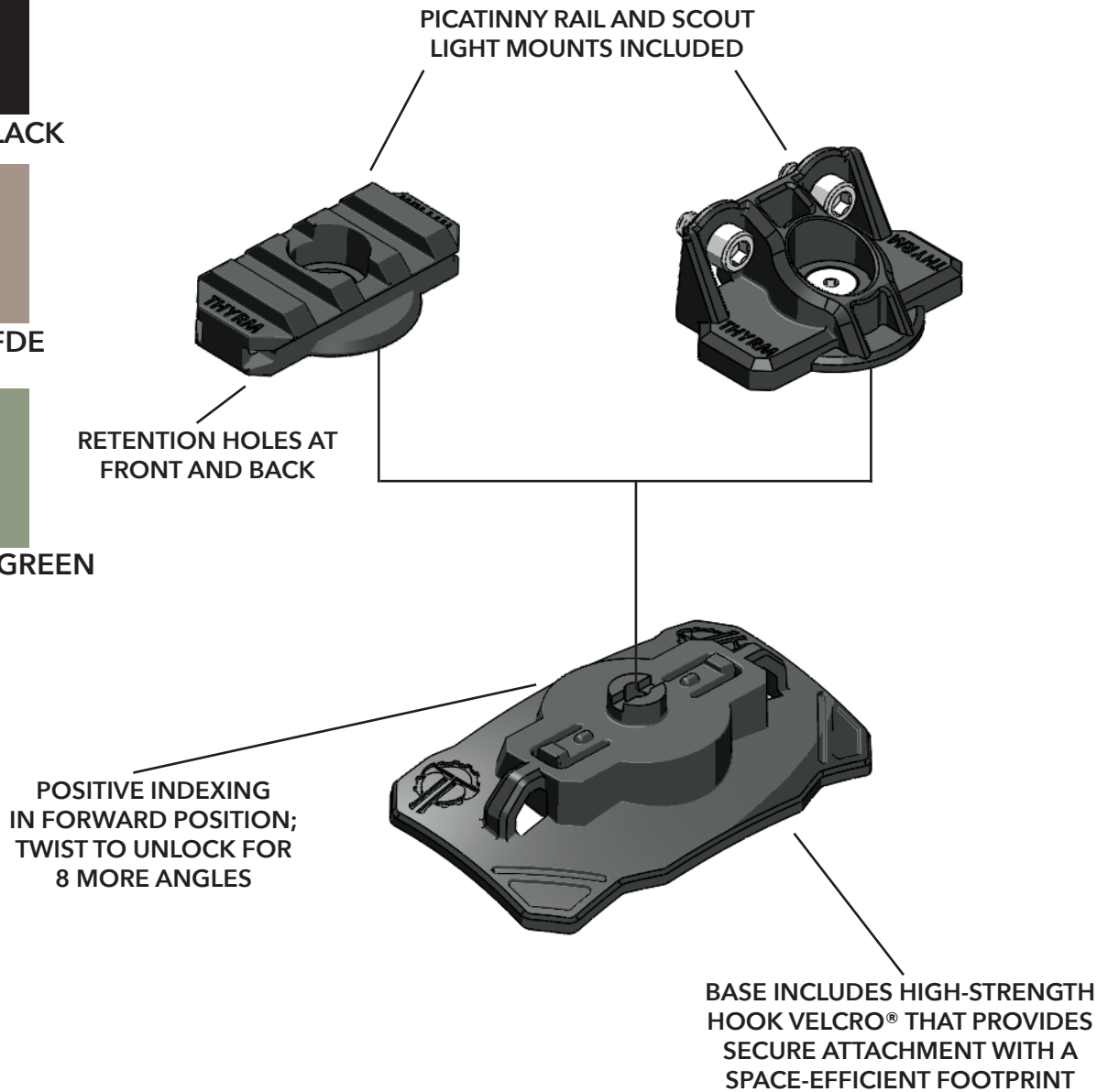
M-LOK
 LENGTH: 1.76 in
 WIDTH: 1.49 in
 HEIGHT: 0.53 in
 WEIGHT: 0.5 oz

MSRP \$34.99

MADE IN THE USA



VARIARC-VS: UNIVERSAL



ADDITIONAL INFORMATION:

- REINFORCED POLYMER CONSTRUCTION
- CAN BE USED IN DOWNWARD ANGLES FOR ADMIN & TASK LIGHTING
- WORKS IN VERTICAL POSITIONS FOR UMBRELLA LIGHTING ROOMS, CANOPY ILLUMINATION, AND IR STROBE SIGNALING
- COMPATIBLE WITH STANDARD 1913 PICATINNY RAIL AND SCOUT MOUNT LIGHTS (SEE WEBSITE FOR FULL LIST AND INSTALLATION INSTRUCTIONS)

SPECIFICATIONS:

LENGTH: 2.74 in
WIDTH: 1.52 in
HEIGHT: 1.13 in
WEIGHT: 1 oz

MSRP \$42.99

MADE IN THE USA



DARKVAULT® CRITICAL GEAR CASES



MOUNTABLE PROTECTION FOR
CRITICAL ELECTRONICS AND
MOBILE COMMUNICATIONS



DARKVAULT (ORIGINAL)

A FULLY ENCLOSED MULTI-USE CRITICAL GEAR CASE THAT MOUNTS TO MOLLE/PALS FOR FAST ACCESS TO ELECTRONICS, TOOLS, ETC



DVC001 BLACK



DVC002 OD



DVC003 RESCUE



DVC004 FDE



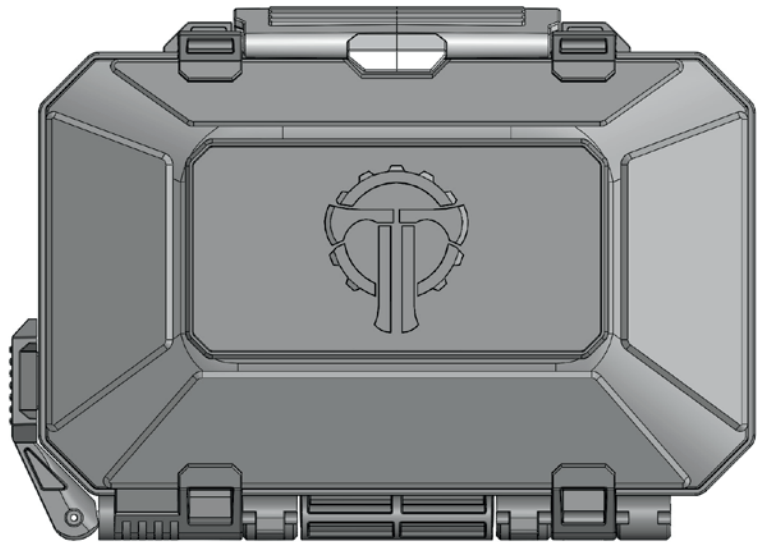
DVCH4MC MULTICAM



DVCH1MCB MULTICAM BLK

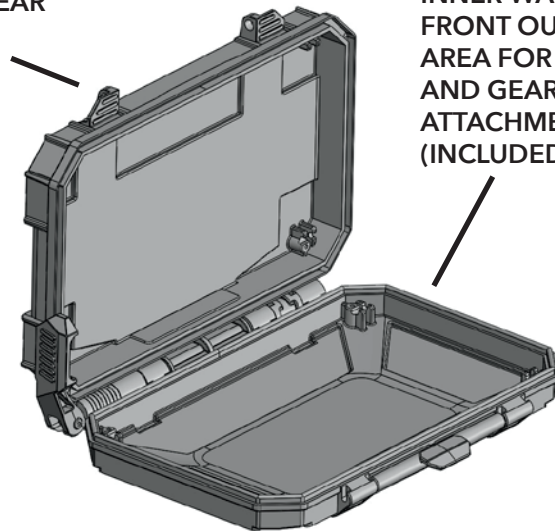


DVCH2MCT MULTICAM TPC



STOWABLE THROW LEVER ALLOWS ADJUSTABLE HINGE FRICTION TO CUSTOMIZE DISPLAY ANGLE

DURABLE NYLON POLYMER SHELL WITH FULL PERIMETER GASKET SEAL FOR PROTECTION FROM IMPACTS AND THE ENVIRONMENT



FAST-ATTACH MOLLE/PALS STRAPS ALLOW FOR QUICK ATTACHMENT TO GEAR (INCLUDED)

ADHESIVE-BACKED VELCRO PANELS FOR INNER WALLS AND FRONT OUTER LOGO AREA FOR PATCHES AND GEAR ATTACHMENT (INCLUDED)

SPECIFICATIONS:

LENGTH: 8.5in
WIDTH: 8 in
HEIGHT: 1.7 in
WEIGHT: 11 oz

MSRP \$59.99-69.99

MADE IN THE USA



DARKVAULT 2.0

COMMS VERSIONS



REG: DVC2Reg1
LRG: DVC2Lrg1



REG: DVC2Reg2
LRG: DVC2Lrg2

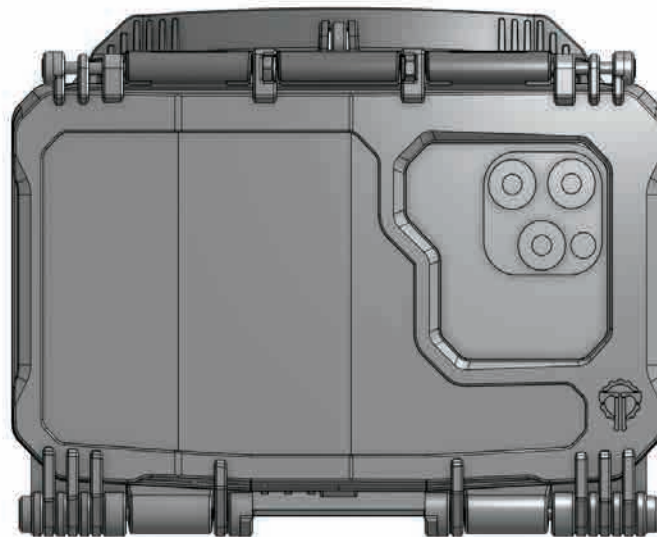


REG: DVC2Reg4
LRG: DVC2Lrg4



REG: DVC2RegHMC
LRG: DVC2LrgHMC

FULLY ENCLOSED COMMS PLATFORM RAPIDLY SECURES PHONE AND PROVIDES COMPLETE PROTECTION. TWO SIZES: REGULAR FOR 6.1" PHONES & LARGE FOR 6.7"+ PHONES. SEE THYRM.COM FOR PHONE COMPATIBILITY INFORMATION



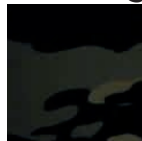
CLEAR WINDOW (COMMS VERSION) ALLOWS CAMERAS TO VIEW ENVIRONMENT

ADJUSTABLE HINGE FRICTION TO CUSTOMIZE DISPLAY ANGLE

BLOCKING VERSIONS



REG: DVB2RegHMC
LRG: DVB2LrgHMC



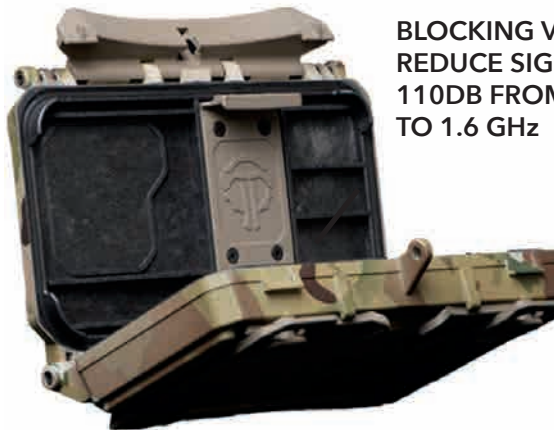
REG: DVB2RegMCB
LRG: DVB2LrgMCB

RAPID, LOCKING MOLLE/PALS ATTACHMENT SYSTEM FOR PLATE CARRIERS AND CHEST RIGS



SELF-ADJUSTING PHONE CLAMP FOR SECURE MOUNTING

BLOCKING VERSIONS REDUCE SIGNAL UP TO 110DB FROM 200 MHz TO 1.6 GHz



SPECIFICATIONS:

REGULAR

LARGE

LENGTH: 6.75 in
WIDTH: 6 in
HEIGHT: 1.5 in
WEIGHT: 10-13oz

LENGTH: 7.3 in
WIDTH: 6 in
HEIGHT: 1.5 in
WEIGHT: 10-13oz

MSRP

\$89.99 to
\$139.99

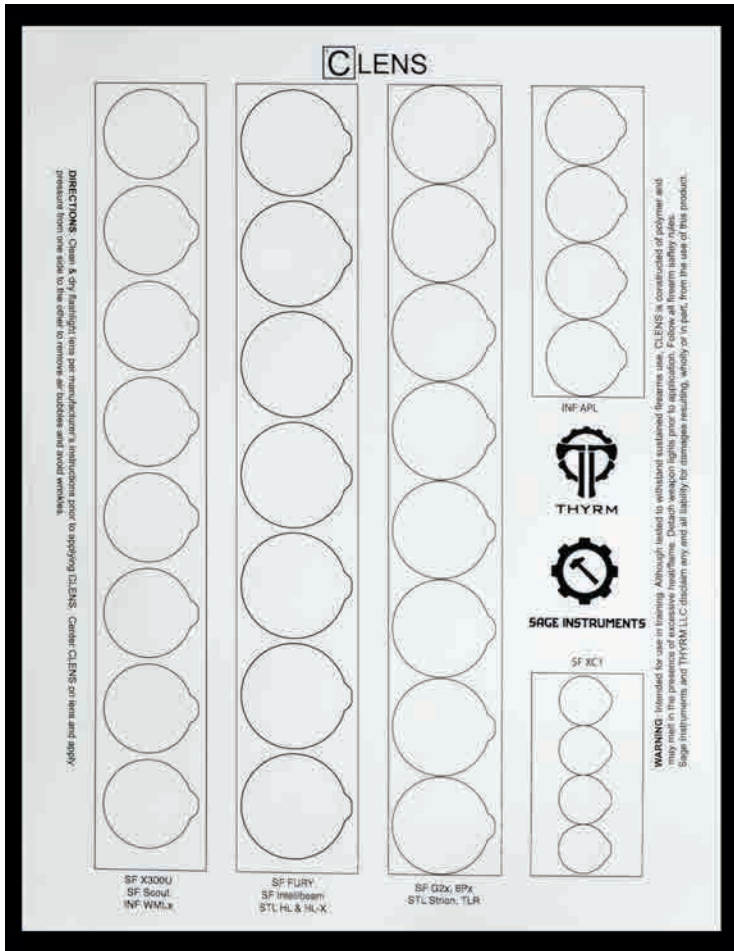
MSRP

\$94.99 to
\$149.99

MADE IN THE USA



CLENS LENS PROTECTORS



SELF-ADHERING CLENS LENS PROTECTORS ARE LIKE GOGGLE TEAR-OFFS FOR YOUR WEAPON-LIGHT.

FEATURES:

- QUICKLY APPLY TO WEAPON-LIGHT LENSES AND ALLOW FOR EASY REMOVAL OF CARBON BUILD-UP
- SMALL PULL TAB ALLOWS THE CLENS TO BE COMPLETELY REMOVED, RESTORING FULL CLARITY FOR MAXIMUM LIGHT OUTPUT
- MADE OF HEAT-RESISTANT CLEAR POLYMER
- AVAILABLE IN SIZE-SPECIFIC SHEETS OR A MULTI-SIZE SAMPLER



CLENS MODELS

CLENS-31: MULTI-SIZE (SHOWN ABOVE)

CLENS 18S: FOR SUREFIRE X300U, SCOUT, ETC

CLENS 18SM: FOR MODLITE PL350C/AMP

CLENS 18M: FOR MODLITE HANDHELDS, ETC

CLENS 18L: STREAMLIGHT HL-X, SUREFIRE DFT, ETC

CLENS 10 XL: FOR MODLITE HOG LIGHTS

SEE THYRM.COM FOR MORE COMPATIBILITY INFO

SPECIFICATIONS:

CLENS-31: 8.5x11 in
ALL OTHER CLENS: 5.5x8.5in
WEIGHT: <1 oz

MSRP \$10.99-14.99

MADE IN THE USA



PYROVAULT 2.0 LIGHTER ARMOR



PV206 URBAN



PV203 ARID



PV202 WOODLAND HUNTER



PV201 DESERT HUNTER



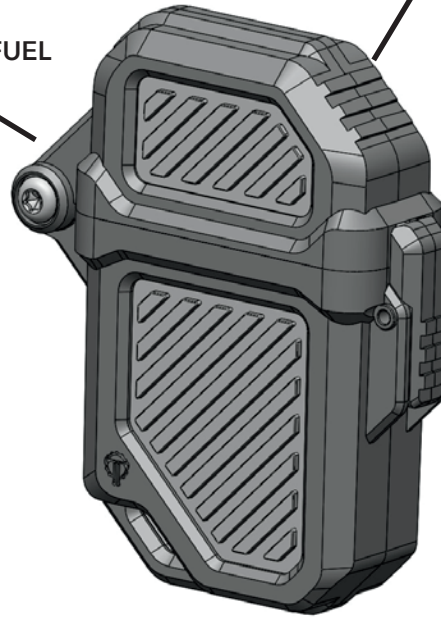
PV205 WOODLAND



PV204 TRANSITIONAL MC

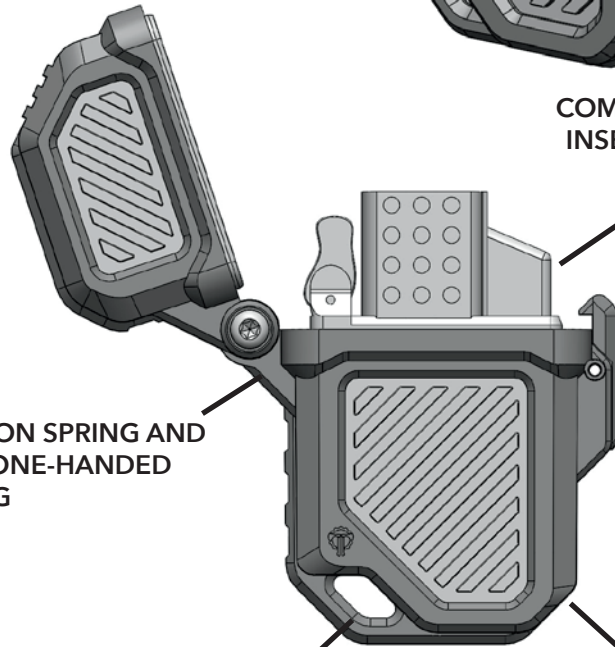
DUAL WALL, DUAL COLOR EXO-SKELETON DESIGN IS DURABLE AND FUNCTIONAL

FULL GASKET SEAL TO KEEP FUEL IN AND WATER OUT



COMPATIBLE WITH ZIPPO® LIGHTER INSERTS INCLUDING BUTANE AND LIQUID FUEL VERSIONS (NOT INCLUDED)

STAINLESS STEEL TORSION SPRING AND AXLE FOR RELIABLE ONE-HANDED OPENING



FULL-SIZED LANYARD HOLE FOR RETENTION IN THE FIELD

TINDER-QUIK™ FIRE-STARTER HIDDEN IN BASE (INCLUDED)

SPECIFICATIONS:

PACKAGED DIMS
LENGTH: 4.5 in
WIDTH: 4.0 in
HEIGHT: 1.3 in
WEIGHT: 2.1 oz

MSRP \$34.99

MADE IN THE USA



CORE PRINCIPLE

THYRM was founded on the belief that innovative, robust products make users more effective and resilient.



PUT IN THE WORK

Great product design requires full immersion in the user's environment & ruthless testing. THYRM products don't launch until our subject matter experts are fully satisfied.



STAND FOR SOMETHING

THYRM backs all products for life, providing our soldiers, emergency personnel and responsible citizens the support they deserve. Designing and manufacturing products in the USA contributes to our communities, speeds product development, and keeps products in stock.



www.thyrm.com

408-444-5734

sales@thyrm.com