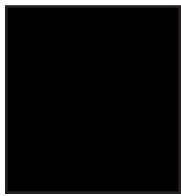
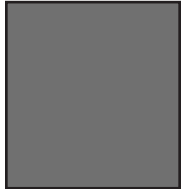


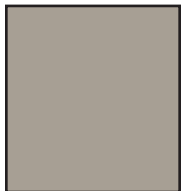
SWITCHBACK 2.0



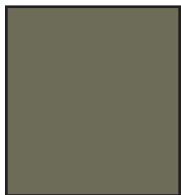
SB007 BLACK



SB008 GREY



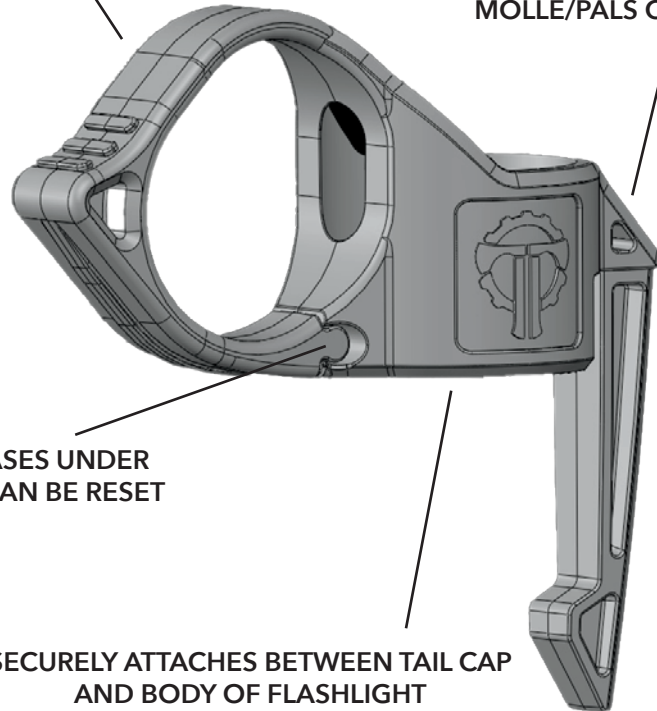
SB009 TAN



SB0010 OD
(Sage Instruments
Edition)

RING FACILITATES USE OF THE
"SWITCHBACK TECHNIQUE" FOR
A NATURAL SHOOTING GRIP

DURABLE, AMBIDEXTROUS
POCKET CLIP IS ALSO
MOLLE/PALS COMPATIBLE



RING RELEASES UNDER
LOAD AND CAN BE RESET

SECURELY ATTACHES BETWEEN TAIL CAP
AND BODY OF FLASHLIGHT

TECHNIQUE

ALL SWITCHBACKS ALLOW THE USER TO:

- Reliably deploy and index a flashlight from both pockets and pouches, using the SwitchBack's rigid but releasable retention ring.
- Shoot using a natural two-handed grip (the Switch-Back technique).
- Employ all traditional low light techniques such as neck index, modified FBI and Harries.
- Positively retain the light when drawing a firearm, reloading, and addressing a firearm malfunction.

MSRP \$19.99

COMPATIBILITY

1" DIAMETER TAILCAP LIGHTS BY:

- | | |
|--------------|-------------------|
| - Modlite | - Cloud Defensive |
| - Surefire | - Pelican |
| - Fenix | - Streamlight |
| - Nitecore | - Elzetta |
| - Foursevens | - Powertac |

AND MORE

See the SwitchBack 2.0 Product page at thyrn.com for a full compatibility list

MADE IN THE USA

