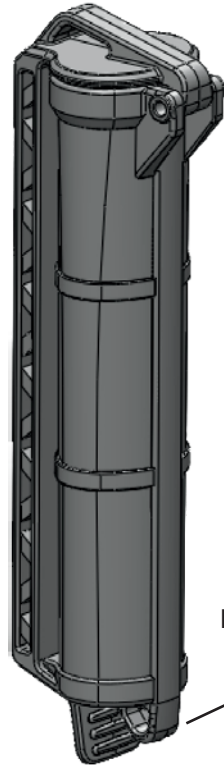
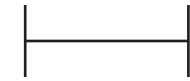


CELLVAULT

- 
CV001 BLACK
- 
CV002 OD
- 
CV003 RESCUE
- 
CV004 FDE
- 
CV005 GREY
- 
CV006 CLEAR
(Black Hinge)

LESS THAN 1 MOLLE
COLUMN WIDE

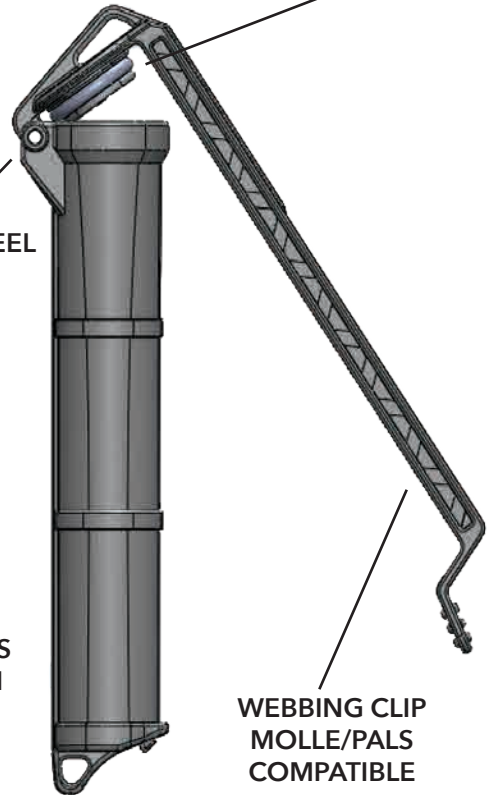


STAINLESS STEEL
HINGE PIN

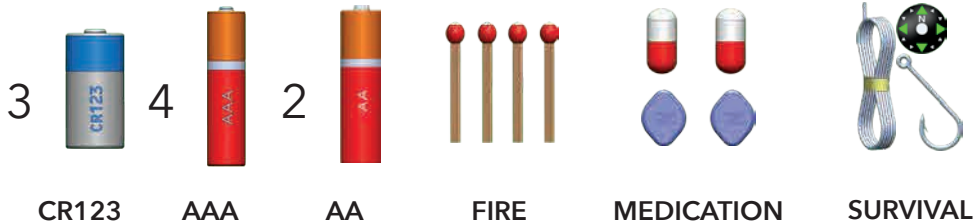
LANYARD HOLES
TOP & BOTTOM

WATERPROOF
O-RING SEAL

WEBBING CLIP
MOLLE/PALS
COMPATIBLE



CAN FIT:



CR123

AAA

AA

FIRE

MEDICATION

SURVIVAL

ADDITIONAL INFORMATION:

- DESIGNED WITH DECREASING DIAMETER TO KEEP BATTERIES LIKE CR123 AT BOTTOM SECURE. TO RELEASE BATTERIES, SQUEEZE THE SLIDES OF THE CELLVAULT WHEN OPEN AND INVERTED.
- MOUNTS TO MOLLE, WEBBING, AND STRAPS TO ALLOW MORE ROOM FOR OTHER GEAR
- CAN ALSO FIT OTHER SMALL CONSUMABLES, EMERGENCY MONEY, FLASH DRIVES, TOBACCO PRODUCTS, FIRST AID GEAR (BANDAGES, TWEEZERS, ETC.)

SPECIFICATIONS:

LENGTH: 5.1 in
WIDTH: 1.1 in
HEIGHT: 1.3 in
WEIGHT: 1.1 oz

MSRP \$19.99

MADE IN THE USA

