

DARKVAULT (ORIGINAL)

A FULLY ENCLOSED MULTI-USE CRITICAL GEAR CASE THAT MOUNTS TO MOLLE/PALS FOR FAST ACCESS TO ELECTRONICS, TOOLS, ETC



DVC001 BLACK



DVC002 OD



DVC003 RESCUE



DVC004 FDE



DVCH4MC MULTICAM

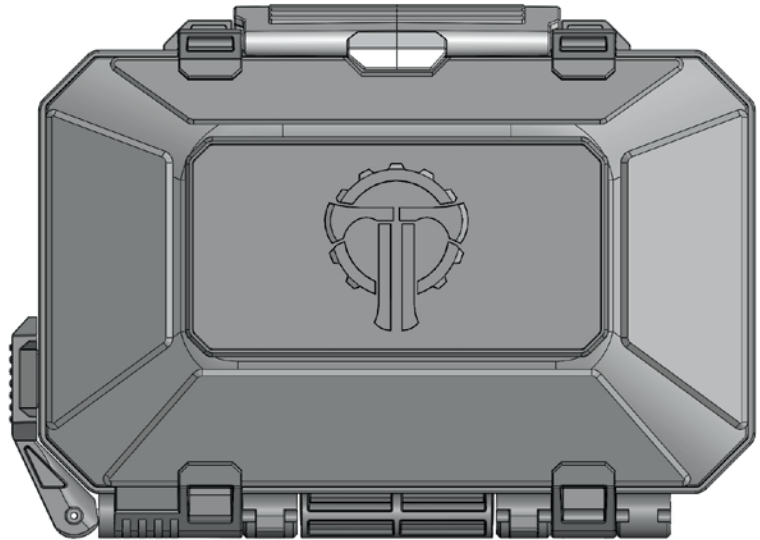


DVCH1MCB MULTICAM BLK



DVCH2MCT MULTICAM TPC

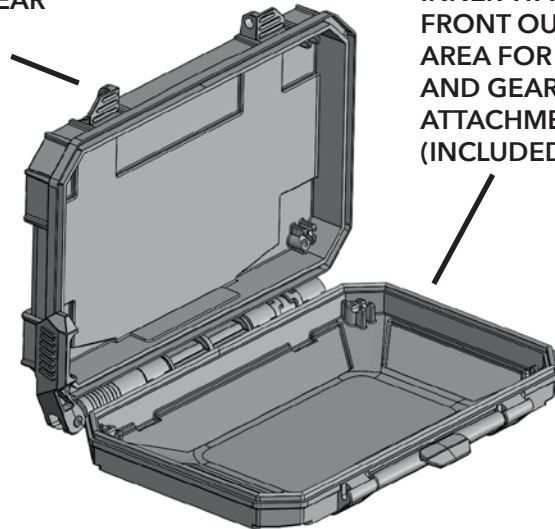
STOWABLE THROW LEVER ALLOWS ADJUSTABLE HINGE FRICTION TO CUSTOMIZE DISPLAY ANGLE



DURABLE NYLON POLYMER SHELL WITH FULL PERIMETER GASKET SEAL FOR PROTECTION FROM IMPACTS AND THE ENVIRONMENT

FAST-ATTACH MOLLE/PALS STRAPS ALLOW FOR QUICK ATTACHMENT TO GEAR (INCLUDED)

ADHESIVE-BACKED VELCRO PANELS FOR INNER WALLS AND FRONT OUTER LOGO AREA FOR PATCHES AND GEAR ATTACHMENT (INCLUDED)



SPECIFICATIONS:

LENGTH: 8.5in
WIDTH: 8 in
HEIGHT: 1.7 in
WEIGHT: 11 oz

MSRP \$59.99-69.99

MADE IN THE USA

